

All cylindrical sizes from D3 to M30 with cable or connector

INDUCTIVE:

- **S series, all sizes**
Standard sensing range series for those cost effect applications.
- **E series, all sizes**
Extended sensing range series for those applications that needs the extra gain.
- **M series / Quasi Flush. M8 to M30**
Maximum sensing range series for those applications that Needs simple the best performance for today's technology
- **T series. Heavy duty, M8, M12, M18 & M30**
All metal housing sensor series. for those applications that requires hi tolerance impacts, to avoid premature damages and extend working life pro-sensors series
- **R Series**
Ring series sensors, piping diameters sizes: 6mm, 10mm,15mm, 21mm, fully adjustable

CAPACITIVE C/Series

- From D6.5 to 30mm, fix and adjustable options.
Applications: Detection of liquids levels as: Detergents, glues, epoxies, water etc... objects with mass like as: Cartoon board, Cement, fabrics, glass, Leather, seeds, stone, paper Etc...

Fits your actual requirements

Benefits:

- ✓ Standard & Long sensing ranges
- ✓ Standard & Metal faces
- ✓ Meet application: Std., Environment, Hi-Temp. & Hi-Psi.
- ✓ Connections: Cable out, Pig Tail & M12 micro & M8 Pico Q.D.
- ✓ Cables, Connectors & Accessories
- ✓ Price Ratio



OPTIMUM Sensors Automation

Your best partner to solve your applications only with the latest technology available in the market for today's industries

Type of technologies

- Capacitive
- Inductive
- Photoelectric
- Safety light curtains

Accessories

- Cables & Corsets
- Connectors and attachments
- Safety relays
- Power supplies

OPTIMUM

Automation Sensors

Inductive proximity sensors all sizes from **03 to M30**

Optimum offers for all our end users a wide range of capacitive & inductive proximity switches in Standard, Extra & Long sensing ranges for those applications that requires the Hi sensing performance., Maximum **M Series**
We have a excellent product at excellent cost, Let us assist you today!



Approvals



Series S, E, M

Heavy duty all metal family **T Series...** *Avoid premature Damages !*

- Hi tolerance to impacts
- Hi pressure resistance
- Available in Sizes **8, 12 & 18mm**
- Versions flush & Non flush

Diameter **5mm** *Coming soon!*

All Metal
T Series



Capacitive proximity sensors sizes from O6.5 to M30, **C Series**

- Detects all kind of material depending the mass., plastics, fiber glass, wood, liquids etc...
- Fix and Adjustable sensing ranges

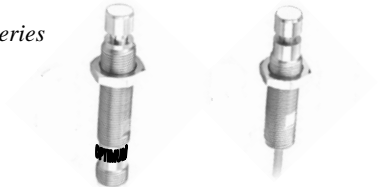
Another's inductive proximity switch Series

- Hi Temperatures 180°C / 356°F, **H Series**
- Hi pressure proof 500 bar, **P Series**
- Inductive Ring Sensors, **R Series**

, R Series



P Series



Inductive and Capacitive proximity switch *Suffix Table Key*

I	F	E	-	12	1	M	-	C
↑	↑	↑		↑	↑	↑		↑
Type	Mounting	Series		Size	output	Body		Electrical Attach
I = Inductive C = Capacitive	F = Flush N = Non Flush R = Ring	S = Standard E = Extended M = Quasi-flush Q = Quasi/Flush T = All Metal H = Heat Resist P = Hi PSI		D3 D4 05 D6.5 08 12 18 30	1 = PNP/N.O 2 = PNP/ N.C 3 = NPN/ N.O 4 = NPN/ N.C 5 = Dc/ 2 Wires / N.O 6 = Dc/ 2 Wires / N.C 7 = AC / DC 8 = Ac / N.O 9 = Ac / N.C	S = Short M = Medium L = Long		C2 = Cable 2 Mts. C5 = Cable 5 Mts. EZ1 = Pico M8 Connect EZ2 = Micro M12 Connect EZ3 = Pig Tail M8 EZ4 = Pig Tail M12



This product is not suitable and should not be used in life-safety applications or any application where bodily injury may result from sensor failure

Standard Inductive Sensors

Content

Size	Sensing	Flush	Non Flush	Voltage	Cable	M12 Micro	M8 Pico	M8 Pig Tail	Page
O3	0.6 mm	*		10-30 VDC	*			*	Pg. 3
O3	1 mm	*		10-30 VDC	*			*	Pg. 3
O4	0.8mm	*		10-30 VDC	*			*	Pg. 4
O4	1.5mm	*		10-30 VDC	*			*	Pg. 4
M5	0.8mm	*		10-30 VDC	*		*		Pg. 5
M5	1.5mm	*		10-30 VDC	*		*		Pg. 5
O6.5	2,3mm	*		10-30 VDC	*	*	*		Pg. 6, 7 8
M8	2,3mm	*		10-30 VDC	*	*	*		Pg. 9 11, 12
M8	4,6mm		*	10-30 VDC	*	*	*		Pg. 10, 12
M12	4, 8mm	*		10-30 VDC	*	*			Pg. 13, 15
M12	4, 8, 10mm		*	10-30 VDC	*	*			Pg. 14, 15
M18	5, 8mm	*		10-30 VDC	*	*			Pg. 16, 18
M18	8, 16mm		*	10-30 VDC	*	*			Pg. 17, 18
M30	10, 16	*		10-30 VDC		*			Pg. 19, 20
M30	25mm		*	10-30 VDC		*			Pg. 20

All Metal Inductive Sensors

Size	Sensing	Flush	Non Flush	Voltage	Cable	M12 Micro	M8 Pico	M8 Pig Tail	Page
M8	2mm	*		10-30 VDC	*	*	*		Pg. 21
M8	3.5mm		*	10-30 VDC	*	*	*		Pg. 22, 23
M12	4mm	*		10-30 VDC	*	*			Pg. 24, 26
M12	6mm		*	10-30 VDC	*	*			Pg. 25, 26
M18	8mm	*		10-30 VDC	*	*			Pg. 27, 28

Capacitive Sensors

Size	Sensing	Flush	Non Flush	Voltage	Cable	M12 Micro	M8 Pico	M8 Pig Tail	Page
M8	2mm	*		10-30 VDC	*	*	*		Pg. 29
M8	4mm		*	10-30 VDC	*	*	*		Pg. 30
M12	4	*		10-30 VDC	*	*			Pg. 31
M12	8		*	10-30 VDC	*	*			Pg. 32
M18	8mm	*		10-30 VDC	*	*			Pg. 33
M18	15mm		*	10-30 VDC		*			Pg. 34

D3
Flush

OPTIMUM Automation Sensors

Inductive Sensors D3 S, E Series 0.8, 1.5mm Sensing Range Standard & Extended

General Description

- Housing Material: S.S 303 / 1.4305
- 10...30 VDC 3 Wire
- Reverse polarity protection
- Function display LED
- Degree of protection IP67
- Hysteresis 3...15%
- Shielded, 2000 HZ
- Temp. -25°C...75°C



D3 S, E Series



Technical Chart

Model	Mounting	S.R mm	Signal	Output	Length	Rated Currant	Connection	Draw
IFS-D31S-C2	Flush	0.6	PNP	N.O.	25mm	200mA	2 Mts. Cable	1
IFS-D32S-C2	Flush	0.6	PNP	N.C.	25mm	200mA	2 Mts. Cable	1
IFS-D33S-C2	Flush	0.6	NPN	N.O.	25mm	200mA	2 Mts. Cable	1
IFS-D34S-C2	Flush	0.6	NPN	N.C.	25mm	200mA	2 Mts. Cable	1
IFS-D31S-EZ3	Flush	0.6	PNP	N.O.	25mm	200mA	Pig T. Pico M8	2
IFS-D32S-EZ3	Flush	0.6	PNP	N.C.	25mm	200mA	Pig T. Pico M8	2
IFS-D33S-EZ3	Flush	0.6	NPN	N.O.	25mm	200mA	Pig T. Pico M8	2
IFS-D34S-EZ3	Flush	0.6	NPN	N.C.	25mm	200mA	Pig T. Pico M8	2
IFE-D31S-C2	Flush	1	PNP	N.O.	25mm	200mA	2 Mts. Cable	1
IFE-D32S-C2	Flush	1	PNP	N.C.	25mm	200mA	2 Mts. Cable	1
IFE-D33S-C2	Flush	1	NPN	N.O.	25mm	200mA	2 Mts. Cable	1
IFE-D34S-C2	Flush	1	NPN	N.C.	25mm	200mA	2 Mts. Cable	1
IFE-D31S-EZ3	Flush	1	PNP	N.O.	25mm	200mA	Pig T. Pico M8	2
IFE-D32S-EZ3	Flush	1	PNP	N.C.	25mm	200mA	Pig T. Pico M8	2
IFE-D33S-EZ3	Flush	1	NPN	N.O.	25mm	200mA	Pig T. Pico M8	2
IFE-D34S-EZ3	Flush	1	NPN	N.C.	25mm	200mA	Pig T. Pico M8	2

D 6.5
Flush

M8
Flush

M12
Flush

M18
Flush

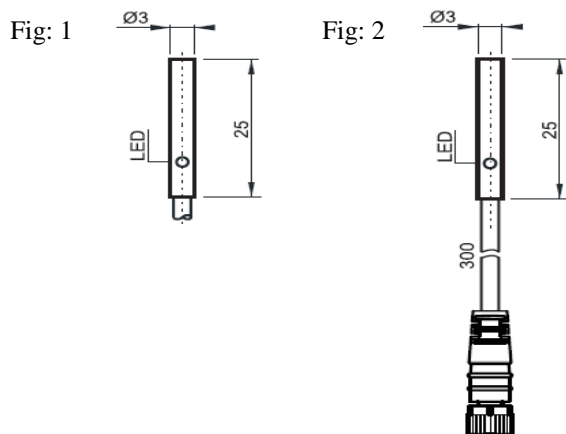
M30
Flush

All Metal
M8
M12
M18

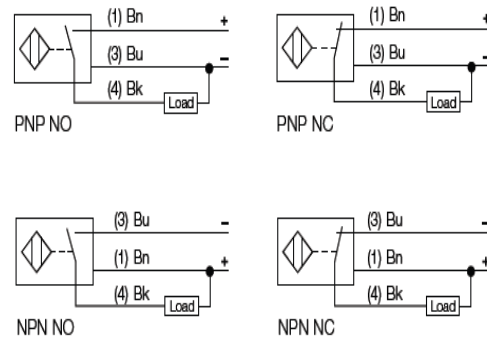
Capacitive
M8
M12
M18

Access.

Fisical Dimmensions



Electrical Connections



Accessories: Please see page 35

General Description

- Housing Material: S.S 303 / 1.4305
- 10...30 VDC 3 Wire
- Reverse polarity protection
- Function display LED
- Degree of protection IP67
- Hysteresis 3...15%
- Shielded, 2000 HZ
- Temp. -25°C...75°C



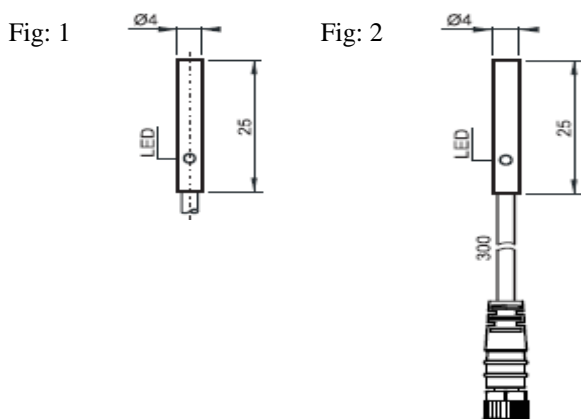
D4 S, E Series



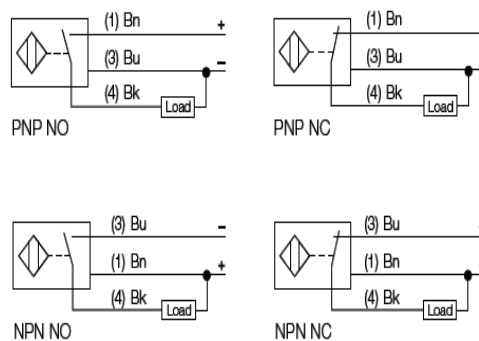
Technical Chart

Model	Mounting	S.R mm	Signal	Output	Length	Rated Currant	Connection	Draw
IFS-D41S-C2	Flush	0.8	PNP	N.O.	25mm	200mA	2 Mts. Cable	1
IFS-D42S-C2	Flush	0.8	PNP	N.C.	25mm	200mA	2 Mts. Cable	1
IFS-D43S-C2	Flush	0.8	NPN	N.O.	25mm	200mA	2 Mts. Cable	1
IFS-D44S-C2	Flush	0.8	NPN	N.C.	25mm	200mA	2 Mts. Cable	1
IFS-D41S-EZ3	Flush	0.8	PNP	N.O.	25mm	200mA	Pig T. Pico M8	2
IFS-D42S-EZ3	Flush	0.8	PNP	N.C.	25mm	200mA	Pig T. Pico M8	2
IFS-D43S-EZ3	Flush	0.8	NPN	N.O.	25mm	200mA	Pig T. Pico M8	2
IFS-D44S-EZ3	Flush	0.8	NPN	N.C.	25mm	200mA	Pig T. Pico M8	2
IFE-D41S-C2	Flush	1.5	PNP	N.O.	25mm	200mA	2 Mts. Cable	1
IFE-D42S-C2	Flush	1.5	PNP	N.C.	25mm	200mA	2 Mts. Cable	1
IFE-D43S-C2	Flush	1.5	NPN	N.O.	25mm	200mA	2 Mts. Cable	1
IFE-D44S-C2	Flush	1.5	NPN	N.C.	25mm	200mA	2 Mts. Cable	1
IFE-D41S-EZ3	Flush	1.5	PNP	N.O.	25mm	200mA	Pig T. Pico M8	2
IFE-D42S-EZ3	Flush	1.5	PNP	N.C.	25mm	200mA	Pig T. Pico M8	2
IFE-D43S-EZ3	Flush	1.5	NPN	N.O.	25mm	200mA	Pig T. Pico M8	2
IFE-D44S-EZ3	Flush	1.5	NPN	N.C.	25mm	200mA	Pig T. Pico M8	2

Fisical Dimmensions



Electrical Connections



Accessories: Please see page 35

**D3
Flush**

**D4
Flush**

**M5
Flush**

**D6.5
Flush**

**M8
Flush**

**M12
Flush**

**M18
Flush**

**M30
Flush**

**All
Metal
M8
M12
M18**

**Capacitive
M8
M12
M18**

Access.

D3
Flush

OPTIMUM Automation Sensors

Inductive Sensors M5 S, E Series 0.8, 1.5mm Sensing Range Standard & Extended

General Description

- Housing Material: S.S 303 / 1.4305
- 10...30 VDC 3 Wire
- Reverse polarity protection
- Function display LED
- Degree of protection IP67
- Hysteresis 3...15%
- Shielded, 2000 HZ
- Temp. -25°C...75°C



D 4
Flush

M5
Flush

M5 S, E Series



Technical Chart

Model	Mounting	S.R mm	Signal	Output	Length	Rated Currant	Connection	Draw
IFS-051S-C2	Flush	0.8	PNP	N.O.	25mm	200mA	2 Mts. Cable	1
IFS-052S-C2	Flush	0.8	PNP	N.C.	25mm	200mA	2 Mts. Cable	1
IFS-053S-C2	Flush	0.8	NPN	N.O.	25mm	200mA	2 Mts. Cable	1
IFS-054S-C2	Flush	0.8	NPN	N.C.	25mm	200mA	2 Mts. Cable	1
IFS-051S-EZ1	Flush	0.8	PNP	N.O.	40mm	200mA	Pico M8	2
IFS-052S-EZ1	Flush	0.8	PNP	N.C.	40mm	200mA	Pico M8	2
IFS-053S-EZ1	Flush	0.8	NPN	N.O.	40mm	200mA	Pico M8	2
IFS-054S-EZ1	Flush	0.8	NPN	N.C.	40mm	200mA	Pico M8	2
IFE-051S-C2	Flush	1.5	PNP	N.O.	25mm	200mA	2 Mts. Cable	1
IFE-052S-C2	Flush	1.5	PNP	N.C.	25mm	200mA	2 Mts. Cable	1
IFE-053S-C2	Flush	1.5	NPN	N.O.	25mm	200mA	2 Mts. Cable	1
IFE-054S-C2	Flush	1.5	NPN	N.C.	25mm	200mA	2 Mts. Cable	1
IFE-051S-EZ1	Flush	1.5	PNP	N.O.	40mm	200mA	Pico M8	2
IFE-052S-EZ1	Flush	1.5	PNP	N.C.	40mm	200mA	Pico M8	2
IFE-053S-EZ1	Flush	1.5	NPN	N.O.	40mm	200mA	Pico M8	2
IFE-054S-EZ1	Flush	1.5	NPN	N.C.	40mm	200mA	Pico M8	2

D 6.5
Flush

M8
Flush

M12
Flush

M18
Flush

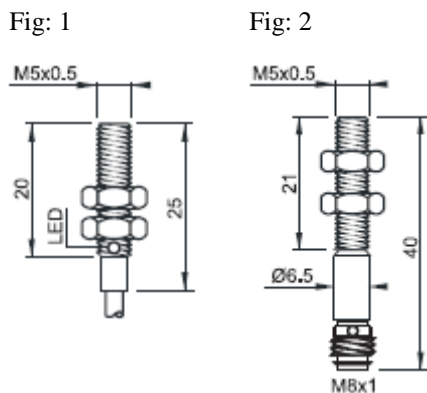
M30
Flush

All
Metal
M8
M12
M18

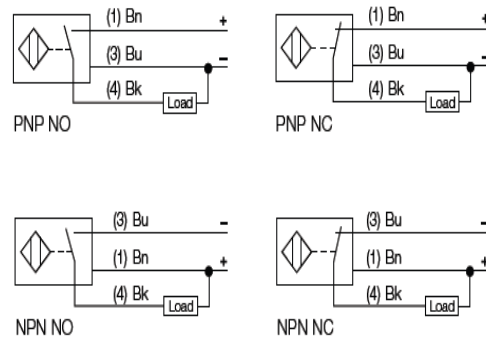
Capacitive
M8
M12
M18

Access.

Fisical Dimmensions



Electrical Connections



Accessories: Please see page 35

General Description

- Housing Material: S.S 303 / 1.4305
- 10...30 VDC 3 Wire
- Reverse polarity protection
- Function display LED
- Degree of protection IP67
- Hysteresis 3...15%
- Shielded, 2000 HZ
- Temp. -25°C...75°C



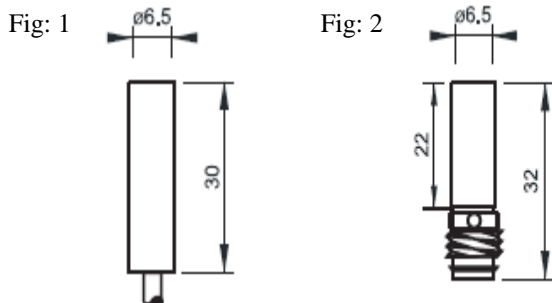
D6.5 E, M Series



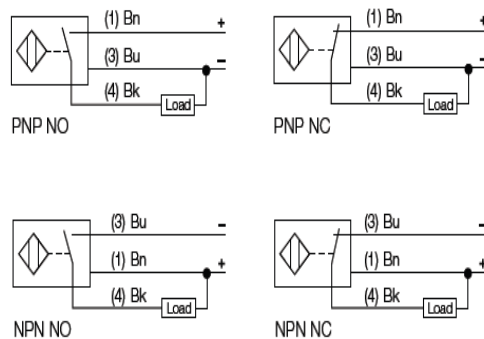
Technical Chart

Model	Mounting	S.R mm	Signal	Output	Length	Rated Currant	Connection	Draw
IFE-D6.51S-C2	Flush	2	PNP	N.O.	30mm	200mA	2 Mts. Cable	1
IFE-D6.52S-C2	Flush	2	PNP	N.C.	30mm	200mA	2 Mts. Cable	1
IFE-D6.53S-C2	Flush	2	NPN	N.O.	30mm	200mA	2 Mts. Cable	1
IFE-D6.54S-C2	Flush	2	NPN	N.C.	30mm	200mA	2 Mts. Cable	1
IFE-D6.51S-EZ2	Flush	2	PNP	N.O.	32mm	200mA	Pico M8	2
IFE-D6.52S-EZ2	Flush	2	PNP	N.C.	32mm	200mA	Pico M8	2
IFE-D6.53S-EZ2	Flush	2	NPN	N.O.	32mm	200mA	Pico M8	2
IFE-D6.54S-EZ2	Flush	2	NPN	N.C.	32mm	200mA	Pico M8	2
IFM-D6.51S-C2	Flush	3	PNP	N.O.	30mm	200mA	2 Mts. Cable	1
IFM-D6.52S-C2	Flush	3	PNP	N.C.	30mm	200mA	2 Mts. Cable	1
IFM-D6.53S-C2	Flush	3	NPN	N.O.	30mm	200mA	2 Mts. Cable	1
IFM-D6.54S-C2	Flush	3	NPN	N.C.	30mm	200mA	2 Mts. Cable	1
IFM-D6.51S-EZ2	Flush	3	PNP	N.O.	32mm	200mA	Pico M8	2
IFM-D6.52S-EZ2	Flush	3	PNP	N.C.	32mm	200mA	Pico M8	2
IFM-D6.53S-EZ2	Flush	3	NPN	N.O.	32mm	200mA	Pico M8	2
IFM-D6.54S-EZ2	Flush	3	NPN	N.C.	32mm	200mA	Pico M8	2

Fisical Dimmensions



Electrical Connections



Accessories: Please see page 35

D3
Flush

D 4
Flush

M5
Flush

D 6.5
Flush

M8
Flush

M12
Flush

M18
Flush

M30
Flush

All
Metal
M8
M12
M18

Capacitive
M8
M12
M18

Access

D3
Flush

OPTIMUM Automation Sensors

Inductive Sensors D6.5 E, M Series **2, 3mm Sensing Range Extended & Maximum**

General Description

- Housing Material: S.S 303 / 1.4305
- 10...30 VDC 3 Wire
- Reverse polarity protection
- Function display LED
- Degree of protection IP67
- Hysteresis 3...15%
- Shielded, 2000 HZ
- Temp. -25°C...75°C



D 4
Flush

M5
Flush

D6.5 E, M Series



Technical Chart

Model	Mounting	S.R mm	Signal	Output	Length	Rated Currant	Connection	Draw
IFE-D6.51M-C2	Flush	2	PNP	N.O.	45mm	200mA	2 Mts. Cable	1
IFE-D6.52M-C2	Flush	2	PNP	N.C.	45mm	200mA	2 Mts. Cable	1
IFE-D6.53M-C2	Flush	2	NPN	N.O.	45mm	200mA	2 Mts. Cable	1
IFE-D6.54M-C2	Flush	2	NPN	N.C.	45mm	200mA	2 Mts. Cable	1
IFE-D6.51M-EZ1	Flush	2	PNP	N.O.	45mm	200mA	Pico M8	2
IFE-D6.52M-EZ1	Flush	2	PNP	N.C.	45mm	200mA	Pico M8	2
IFE-D6.53M-EZ1	Flush	2	NPN	N.O.	45mm	200mA	Pico M8	2
IFE-D6.54M-EZ1	Flush	2	NPN	N.C.	45mm	200mA	Pico M8	2
IFM-D6.51M-C2	Flush	3	PNP	N.O.	45mm	200mA	2 Mts. Cable	1
IFM-D6.52M-C2	Flush	3	PNP	N.C.	45mm	200mA	2 Mts. Cable	1
IFM-D6.53M-C2	Flush	3	NPN	N.O.	45mm	200mA	2 Mts. Cable	1
IFM-D6.54M-C2	Flush	3	NPN	N.C.	45mm	200mA	2 Mts. Cable	1
IFM-D6.51M-EZ1	Flush	3	PNP	N.O.	45mm	200mA	Pico M8	2
IFM-D6.52M-EZ1	Flush	3	PNP	N.C.	45mm	200mA	Pico M8	2
IFM-D6.53M-EZ1	Flush	3	NPN	N.O.	45mm	200mA	Pico M8	2
IFM-D6.54M-EZ1	Flush	3	NPN	N.C.	45mm	200mA	Pico M8	2

D 6.5
Flush

M8
Flush

M12
Flush

M18
Flush

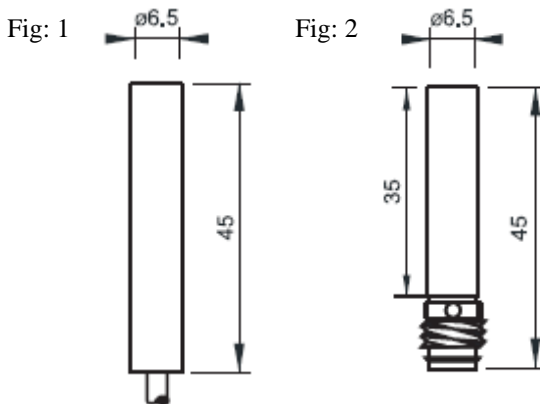
M30
Flush

All
Metal
M8
M12
M18

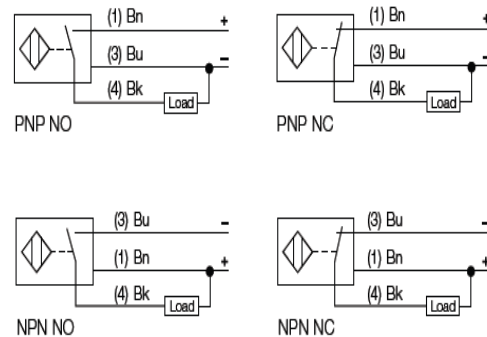
Capacitive
M8
M12
M18

Access.

Fisical Dimmitions



Electrical Connections



Accessories: Please see page 35

General Description

- Housing Material: S.S 303 / 1.4305
- 10...30 VDC 3 Wire
- Reverse polarity protection
- Function display LED
- Degree of protection IP67
- Hysteresis 3...15%
- Shielded, 1000 HZ
- Temp. -25°C...75°C



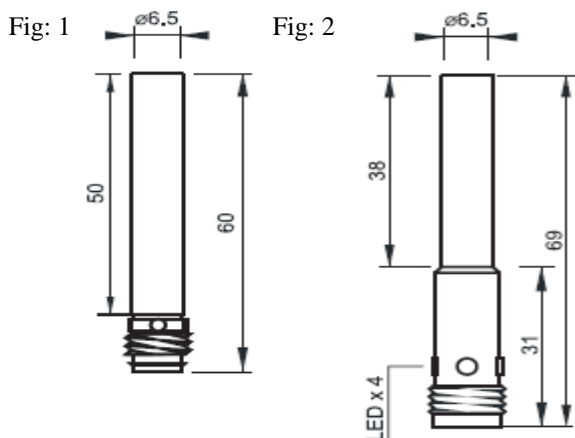
D6.5 E, M Series



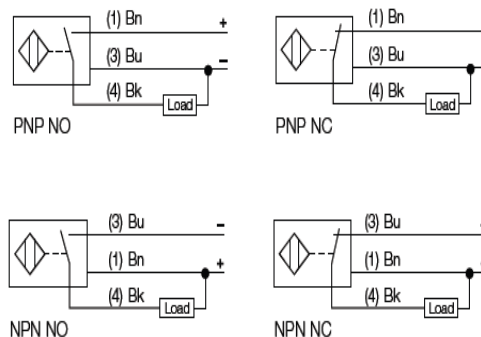
Technical Chart

Model	Mounting	S.R mm	Signal	Output	Length	Rated Currant	Connection	Draw
IFE-D6.51M-EZ1	Flush	2	PNP	N.O.	60mm	200mA	Pico M8	1
IFE-D6.52M-EZ1	Flush	2	PNP	N.C.	60mm	200mA	Pico M8	1
IFE-D6.53M-EZ1	Flush	2	NPN	N.O.	60mm	200mA	Pico M8	1
IFE-D6.54M-EZ1	Flush	2	NPN	N.C.	60mm	200mA	Pico M8	1
IFE-D6.51L-EZ2	Flush	2	PNP	N.O.	69mm	200mA	Micro M12	2
IFE-D6.52L-EZ2	Flush	2	PNP	N.C.	69mm	200mA	Micro M12	2
IFE-D6.53L-EZ2	Flush	2	NPN	N.O.	69mm	200mA	Micro M12	2
IFE-D6.54L-EZ2	Flush	2	NPN	N.C.	69mm	200mA	Micro M12	2
IFM-D6.51M-EZ1	Flush	3	PNP	N.O.	60mm	200mA	Pico M8	1
IFM-D6.52M-EZ1	Flush	3	PNP	N.C.	60mm	200mA	Pico M8	1
IFM-D6.53M-EZ1	Flush	3	NPN	N.O.	60mm	200mA	Pico M8	1
IFM-D6.54M-EZ1	Flush	3	NPN	N.C.	60mm	200mA	Pico M8	1
IFM-D6.51L-EZ2	Flush	3	PNP	N.O.	69mm	200mA	Micro M12	2
IFM-D6.52L-EZ2	Flush	3	PNP	N.C.	69mm	200mA	Micro M12	2
IFM-D6.53L-EZ2	Flush	3	NPN	N.O.	69mm	200mA	Micro M12	2
IFM-D6.54L-EZ2	Flush	3	NPN	N.C.	69mm	200mA	Micro M12	2

Fisical Dimmensions



Electrical Connections



Accessories: Please see page 35

D3
Flush

D 4
Flush

M5
Flush

D 6.5
Flush

M8
Flush

M12
Flush

M18
Flush

M30
Flush

All
Metal
M8
M12
M18

Capacitive
M8
M12
M18

Access.

D3
Flush

OPTIMUM Automation Sensors

Inductive Sensors M8 E, M Series 2, 3mm Sensing Range Extended & Maximum

General Description

- Housing Material: S.S 303 / 1.4305
- 10...30 VDC 3 Wire
- Reverse polarity protection
- Function display LED
- Degree of protection IP67
- Hysteresis 3...15%
- Shielded, 2000 HZ
- Temp. -25°C...75°C



D 4
Flush

M5
Flush

M8 E, M Series



Technical Chart

Model	Mounting	S.R mm	Signal	Output	Length	Rated Currant	Connection	Draw
IFE-081S-C2	Flush	2	PNP	N.O.	30mm	200mA	2 Mts. Cable	1
IFE-082S-C2	Flush	2	PNP	N.C.	30mm	200mA	2 Mts. Cable	1
IFE-083S-C2	Flush	2	NPN	N.O.	30mm	200mA	2 Mts. Cable	1
IFE-084S-C2	Flush	2	NPN	N.C.	30mm	200mA	2 Mts. Cable	1
IFE-081S-EZ1	Flush	2	PNP	N.O.	32mm	200mA	Pico M8	2
IFE-082S-EZ1	Flush	2	PNP	N.C.	32mm	200mA	Pico M8	2
IFE-083S-EZ1	Flush	2	NPN	N.O.	32mm	200mA	Pico M8	2
IFE-084S-EZ1	Flush	2	NPN	N.C.	32mm	200mA	Pico M8	2
IFM-081S-C2	Flush	3	PNP	N.O.	30mm	200mA	2 Mts. Cable	1
IFM-082S-C2	Flush	3	PNP	N.C.	30mm	200mA	2 Mts. Cable	1
IFM-083S-C2	Flush	3	NPN	N.O.	30mm	200mA	2 Mts. Cable	1
IFM-084S-C2	Flush	3	NPN	N.C.	30mm	200mA	2 Mts. Cable	1
IFM-081S-EZ1	Flush	3	PNP	N.O.	32mm	200mA	Pico M8	2
IFM-082S-EZ1	Flush	3	PNP	N.C.	32mm	200mA	Pico M8	2
IFM-083S-EZ1	Flush	3	NPN	N.O.	32mm	200mA	Pico M8	2
IFM-084S-EZ1	Flush	3	NPN	N.C.	32mm	200mA	Pico M8	2

D 6.5
Flush

M8
Flush

M12
Flush

M18
Flush

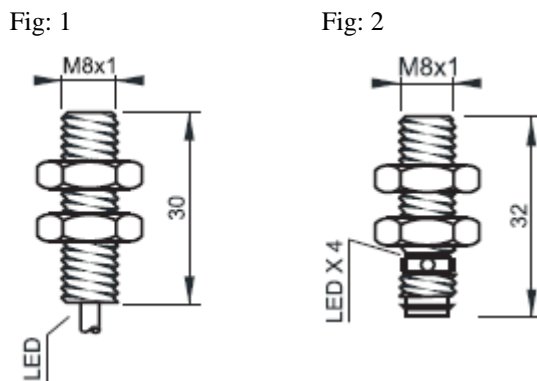
M30
Flush

All
Metal
M8
M12
M18

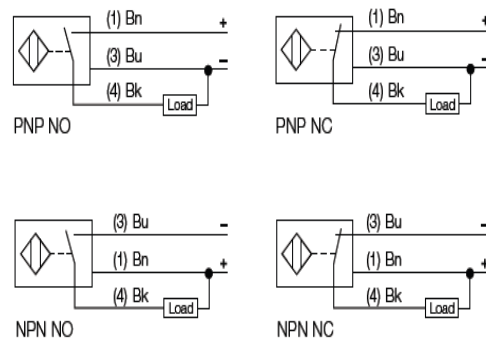
Capacitive
M8
M12
M18

Access.

Fisical Dimmensions



Electrical Connections



Accessories: Please see page 35

General Description

- Housing Material: S.S 303 / 1.4305
- 10...30 VDC 3 Wire
- Reverse polarity protection
- Function display LED
- Degree of protection IP67
- Hysteresis 3...15%
- Shielded, 2000 HZ
- Temp. -25°C...75°C



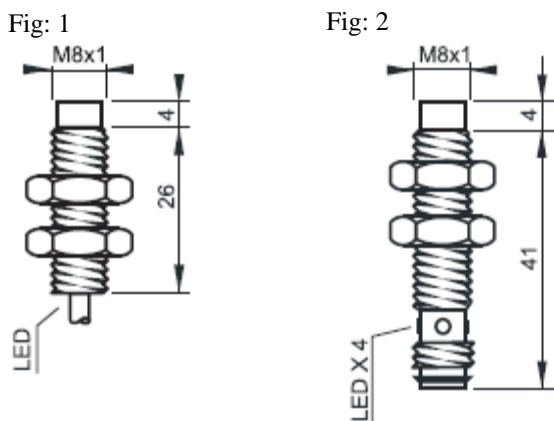
M8 E, M Series



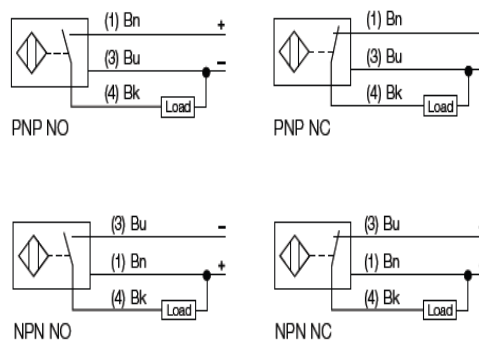
Technical Chart

Model	Mounting	S.R mm	Signal	Output	Length	Rated Currant	Connection	Draw
INE-081S-C2	Non Flush	4	PNP	N.O.	30mm	200mA	2 Mts. Cable	1
INE-082S-C2	Non Flush	4	PNP	N.C.	30mm	200mA	2 Mts. Cable	1
INE-083S-C2	Non Flush	4	NPN	N.O.	30mm	200mA	2 Mts. Cable	1
INE-084S-C2	Non Flush	4	NPN	N.C.	30mm	200mA	2 Mts. Cable	1
INE-081S-EZ1	Non Flush	4	PNP	N.O.	45mm	200mA	Pico M8	2
INE-082S-EZ1	Non Flush	4	PNP	N.C.	45mm	200mA	Pico M8	2
INE-083S-EZ1	Non Flush	4	NPN	N.O.	45mm	200mA	Pico M8	2
INE-084S-EZ1	Non Flush	4	NPN	N.C.	45mm	200mA	Pico M8	2
INM-081S-C2	Non Flush	6	PNP	N.O.	30mm	200mA	2 Mts. Cable	1
INM-082S-C2	Non Flush	6	PNP	N.C.	30mm	200mA	2 Mts. Cable	1
INM-083S-C2	Non Flush	6	NPN	N.O.	30mm	200mA	2 Mts. Cable	1
INM-084S-C2	Non Flush	6	NPN	N.C.	30mm	200mA	2 Mts. Cable	1
INM-081S-EZ1	Non Flush	6	PNP	N.O.	45mm	200mA	Pico M8	2
INM-082S-EZ1	Non Flush	6	PNP	N.C.	45mm	200mA	Pico M8	2
INM-083S-EZ1	Non Flush	6	NPN	N.O.	45mm	200mA	Pico M8	2
INM-084S-EZ1	Non Flush	6	NPN	N.C.	45mm	200mA	Pico M8	2

Fisical Dimmensions



Electrical Connections



Accessories: Please see page 35

D3
Flush

D 4
Flush

M5
Flush

D 6.5
Flush

M8
Non
Flush

M12
Flush

M18
Flush

M30
Flush

All
Metal
M8
M12
M18

Capacitive
M8
M12
M18

Access

D3
Flush

OPTIMUM *Automation Sensors*

Inductive Sensors M8 E, M Series 2, 3mm Sensing Range Extended & Maximum

General Description

- Housing Material: S.S 303 / 1.4305
- 10...30 VDC 3 Wire
- Reverse polarity protection
- Function display LED
- Degree of protection IP67
- Hysteresis 3...15%
- Shielded, 2000 HZ
- Temp. -25°C...75°C



D 4
Flush

M5
Flush

M8 E, M Series



Technical Chart

Model	Mounting	S.R mm	Signal	Output	Length	Rated Currant	Connection	Draw
IFE-081M-C2	Flush	2	PNP	N.O.	45mm	200mA	2 Mts. Cable	1
IFE-082M-C2	Flush	2	PNP	N.C.	45mm	200mA	2 Mts. Cable	1
IFE-083M-C2	Flush	2	NPN	N.O.	45mm	200mA	2 Mts. Cable	1
IFE-084M-C2	Flush	2	NPN	N.C.	45mm	200mA	2 Mts. Cable	1
IFE-081M-EZ1	Flush	2	PNP	N.O.	45mm	200mA	Pico M8	2
IFE-082M-EZ1	Flush	2	PNP	N.C.	45mm	200mA	Pico M8	2
IFE-083M-EZ1	Flush	2	NPN	N.O.	45mm	200mA	Pico M8	2
IFE-084M-EZ1	Flush	2	NPN	N.C.	45mm	200mA	Pico M8	2
IFM-081M-C2	Flush	4	PNP	N.O.	45mm	200mA	2 Mts. Cable	1
IFM-082M-C2	Flush	4	PNP	N.C.	45mm	200mA	2 Mts. Cable	1
IFM-083M-C2	Flush	4	NPN	N.O.	45mm	200mA	2 Mts. Cable	1
IFM-084M-C2	Flush	4	NPN	N.C.	45mm	200mA	2 Mts. Cable	1
IFM-081M-EZ1	Flush	4	PNP	N.O.	45mm	200mA	Pico M8	2
IFM-082M-EZ1	Flush	4	PNP	N.C.	45mm	200mA	Pico M8	2
IFM-083M-EZ1	Flush	4	NPN	N.O.	45mm	200mA	Pico M8	2
IFM-084M-EZ1	Flush	4	NPN	N.C.	45mm	200mA	Pico M8	2

D 6.5
Flush

M8
Flush

M12
Flush

M18
Flush

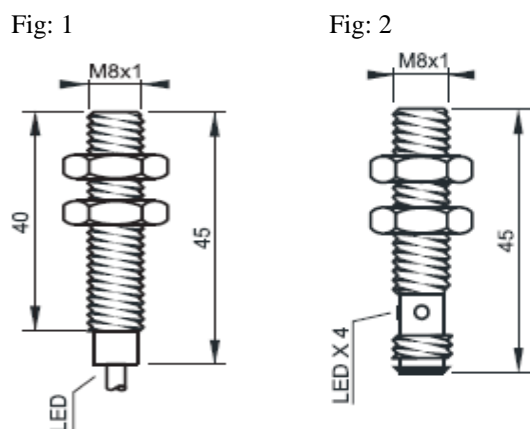
M30
Flush

All
Metal
M8
M12
M18

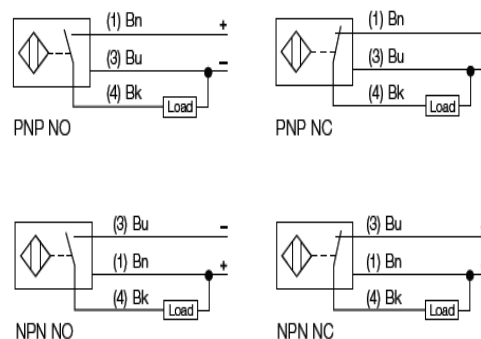
Capacitive
M8
M12
M18

Access.

Fisical Dimmensions



Electrical Connections



Accessories: Please see page 35

General Description

- Housing Material: S.S 303 / 1.4305
- 10...30 VDC 3 Wire
- Reverse polarity protection
- Function display LED
- Degree of protection IP67
- Hysteresis 3...15%
- Flush: Sr. 2mm 2000 HZ / Sr. 3mm 1000HZ
- Non Flush: Sr. 4mm 500 HZ / Sr. 6mm 500 HZ
- Temp. -25°C...75°C



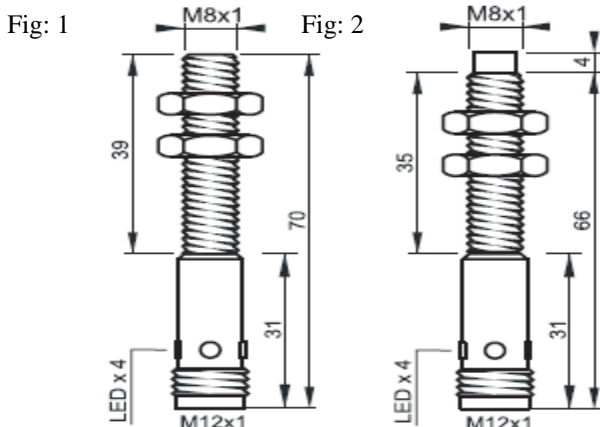
M8 E, M Series



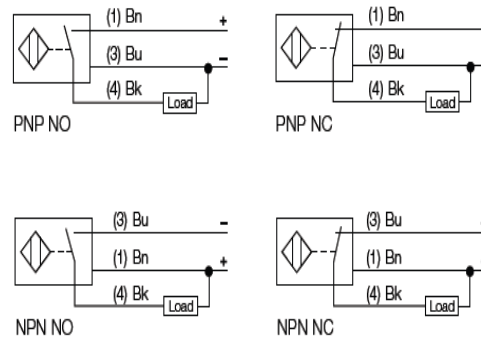
Technical Chart

Model	Mounting	S.R mm	Signal	Output	Length	Rated Currant	Connection	Draw
IFE-081L-EZ2	Flush	2	PNP	N.O.	70mm	200mA	Micro M12	1
IFE-082L-EZ2	Flush	2	PNP	N.C.	70mm	200mA	Micro M12	1
IFE-083L-EZ2	Flush	2	NPN	N.O.	70mm	200mA	Micro M12	1
IFE-084L-EZ2	Flush	2	NPN	N.C.	70mm	200mA	Micro M12	1
INE-081L-EZ2	Non Flush	4	PNP	N.O.	70mm	200mA	Micro M12	2
INE-082L-EZ2	Non Flush	4	PNP	N.C.	70mm	200mA	Micro M12	2
INE-083L-EZ2	Non Flush	4	NPN	N.O.	70mm	200mA	Micro M12	2
INE-084L-EZ2	Non Flush	4	NPN	N.C.	70mm	200mA	Micro M12	2
IFM-081L-EZ2	Flush	4	PNP	N.O.	70mm	200mA	Micro M12	1
IFM-082L-EZ2	Flush	4	PNP	N.C.	70mm	200mA	Micro M12	1
IFM-083L-EZ2	Flush	4	NPN	N.O.	70mm	200mA	Micro M12	1
IFM-084L-EZ2	Flush	4	NPN	N.C.	70mm	200mA	Micro M12	1
INM-081L-EZ2	Non Flush	6	PNP	N.O.	70mm	200mA	Micro M12	2
INM-082L-EZ2	Non Flush	6	PNP	N.C.	70mm	200mA	Micro M12	2
INM-083L-EZ2	Non Flush	6	NPN	N.O.	70mm	200mA	Micro M12	2
INM-084L-EZ2	Non Flush	6	NPN	N.C.	70mm	200mA	Micro M12	2

Fisical Dimmensions



Electrical Connections



Accessories: Please see page 35

D3
Flush

D 4
Flush

M5
Flush

D 6.5
Flush

M8
Flush
Non
Flush

M12
Flush

M18
Flush

M30
Flush

All
Metal
M8
M12
M18

Capacitive
M8
M12
M18

Access.

D3
Flush

OPTIMUM Automation Sensors

Inductive Sensors M12 E, M Series 4, 8mm Sensing Range Extended & Maximum

General Description

- Housing Material: Plated Brass
- 10...30 VDC 3 Wire
- Reverse polarity protection
- Function display LED
- Degree of protection IP67
- Hysteresis 3...15%
- Shielded, 2000 HZ
- Temp. -25°C...75°C



M12 E, M Series



Technical Chart

Model	Mounting	S.R mm	Signal	Output	Length	Rated Currant	Connection	Draw
IFE-121M-C2	Flush	4	PNP	N.O.	50mm	200mA	2 Mts. Cable	1
IFE-122M-C2	Flush	4	PNP	N.C.	50mm	200mA	2 Mts. Cable	1
IFE-123M-C2	Flush	4	NPN	N.O.	50mm	200mA	2 Mts. Cable	1
IFE-124M-C2	Flush	4	NPN	N.C.	50mm	200mA	2 Mts. Cable	1
IFE-121M-EZ2	Flush	4	PNP	N.O.	50mm	200mA	Micro M12	2
IFE-122M-EZ2	Flush	4	PNP	N.C.	50mm	200mA	Micro M12	2
IFE-123M-EZ2	Flush	4	NPN	N.O.	50mm	200mA	Micro M12	2
IFE-124M-EZ2	Flush	4	NPN	N.C.	50mm	200mA	Micro M12	2
IFM-121M-C2	Flush	8	PNP	N.O.	50mm	200mA	2 Mts. Cable	1
IFM-122M-C2	Flush	8	PNP	N.C.	50mm	200mA	2 Mts. Cable	1
IFM-123M-C2	Flush	8	NPN	N.O.	50mm	200mA	2 Mts. Cable	1
IFM-124M-C2	Flush	8	NPN	N.C.	50mm	200mA	2 Mts. Cable	1
IFM-121M-EZ2	Flush	8	PNP	N.O.	50mm	200mA	Micro M12	2
IFM-122M-EZ2	Flush	8	PNP	N.C.	50mm	200mA	Micro M12	2
IFM-123M-EZ2	Flush	8	NPN	N.O.	50mm	200mA	Micro M12	2
IFM-124M-EZ2	Flush	8	NPN	N.C.	50mm	200mA	Micro M12	2

D 6.5
Flush

M8
Flush

M12
Flush

M18
Flush

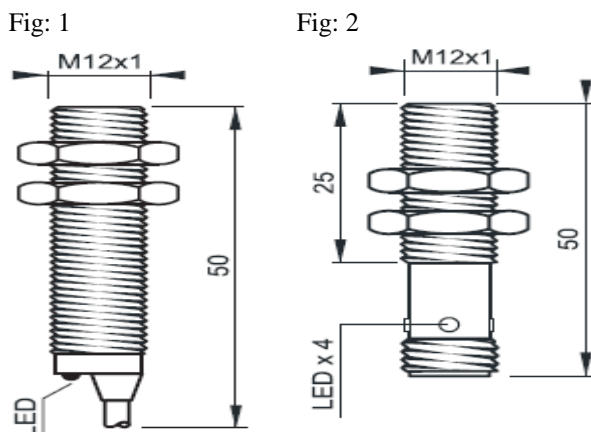
M30
Flush

All
Metal
M8
M12
M18

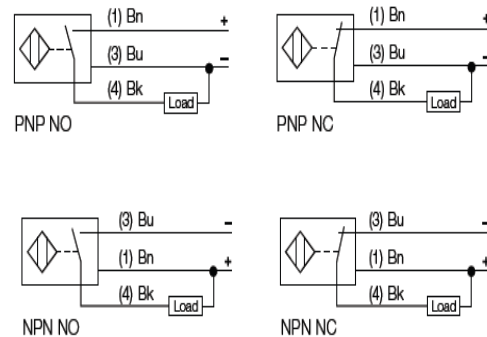
Capacitive
M8
M12
M18

Access.

Fisical Dimmensions



Electrical Connections



Accessories: Please see page 35

General Description

- Housing Material: Plated Brass
- 10...30 VDC 3 Wire
- Reverse polarity protection
- Function display LED
- Degree of protection IP67
- Hysteresis 3...15%
- Flush: Sr. 4mm 1000 HZ / Sr. 8mm 500HZ
- Temp. -25°C...75°C



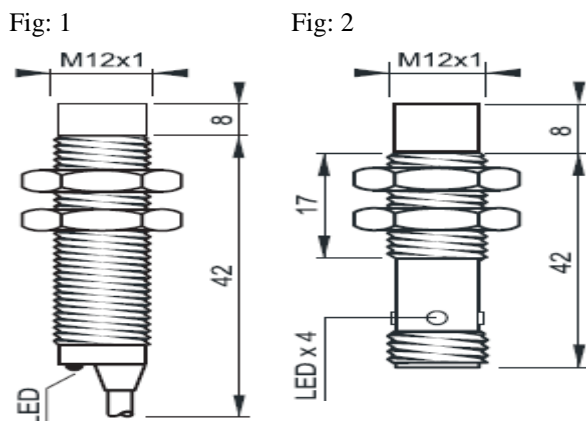
M12 E, M Series



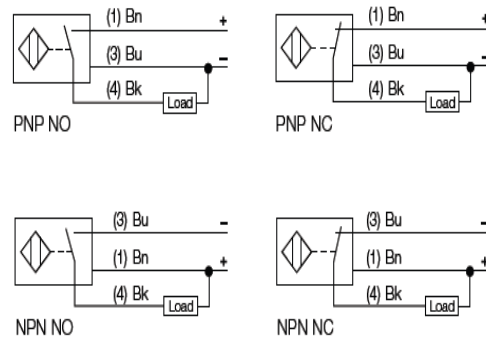
Technical Chart

Model	Mounting	S.R mm	Signal	Output	Length	Rated Currant	Connection	Draw
INE-121M-C2	Non Flush	4	PNP	N.O.	50mm	200mA	2 Mts. Cable	1
INE-122M-C2	Non Flush	4	PNP	N.C.	50mm	200mA	2 Mts. Cable	1
INE-123M-C2	Non Flush	4	NPN	N.O.	50mm	200mA	2 Mts. Cable	1
INE-124M-C2	Non Flush	4	NPN	N.C.	50mm	200mA	2 Mts. Cable	1
INE-121M-EZ2	Non Flush	4	PNP	N.O.	50mm	200mA	Micro M12	2
INE-122M-EZ2	Non Flush	4	PNP	N.C.	50mm	200mA	Micro M12	2
INE-123M-EZ2	Non Flush	4	NPN	N.O.	50mm	200mA	Micro M12	2
INE-124M-EZ2	Non Flush	4	NPN	N.C.	50mm	200mA	Micro M12	2
INM-121M-C2	Non Flush	8	PNP	N.O.	50mm	200mA	2 Mts. Cable	1
INM-122M-C2	Non Flush	8	PNP	N.C.	50mm	200mA	2 Mts. Cable	1
INM-123M-C2	Non Flush	8	NPN	N.O.	50mm	200mA	2 Mts. Cable	1
INM-124M-C2	Non Flush	8	NPN	N.C.	50mm	200mA	2 Mts. Cable	1
INM-121M-EZ2	Non Flush	8	PNP	N.O.	50mm	200mA	Micro M12	2
INM-122M-EZ2	Non Flush	8	PNP	N.C.	50mm	200mA	Micro M12	2
INM-123M-EZ2	Non Flush	8	NPN	N.O.	50mm	200mA	Micro M12	2
INM-124M-EZ2	Non Flush	8	NPN	N.C.	50mm	200mA	Micro M12	2

Fisical Dimmensions



Electrical Connections



Accessories: Please see page 35

D3
Flush

D 4
Flush

M5
Flush

D 6.5
Flush

M8
Flush

M12
Non
Flush

M18
Flush

M30
Flush

All
Metal
M8
M12
M18

Capacitive
M8
M12
M18

Access.

D3
Flush

OPTIMUM *Automation Sensors*

Inductive Sensors M12 E, M Series 4, 8, 10mm Sensing Range Extended & Maximum

D 4
Flush

General Description

- Housing Material: Plated Brass
- 10...30 VDC 3 Wire
- Reverse polarity protection
- Function display LED
- Degree of protection IP67
- Hysteresis 3...15%
- Flush: Sr. 4mm 1000 Hz / Sr. 6mm 800 Hz
- Non Flush: Sr. 8mm 500 Hz / Sr. 10mm 400Hz
- Temp. -25°C...75°C



M5
Flush

M12 E, M Series



Technical Chart

Model	Mounting	S.R mm	Signal	Output	Length	Rated Currant	Connection	Draw
IFE-121L-EZ2	Flush	4	PNP	N.O.	68mm	200mA	Micro M12	1
IFE-122L-EZ2	Flush	4	PNP	N.C.	68mm	200mA	Micro M12	1
IFE-123L-EZ2	Flush	4	NPN	N.O.	68mm	200mA	Micro M12	1
IFE-124L-EZ2	Flush	4	NPN	N.C.	68mm	200mA	Micro M12	1
INE-121L-EZ2	Non Flush	8	PNP	N.O.	68mm	200mA	Micro M12	2
INE-122L-EZ2	Non Flush	8	PNP	N.C.	68mm	200mA	Micro M12	2
INE-123L-EZ2	Non Flush	8	NPN	N.O.	68mm	200mA	Micro M12	2
INE-124L-EZ2	Non Flush	8	NPN	N.C.	68mm	200mA	Micro M12	2
IFM-121L-EZ2	Flush	8	PNP	N.O.	68mm	200mA	Micro M12	1
IFM-122L-EZ2	Flush	8	PNP	N.C.	68mm	200mA	Micro M12	1
IFM-123L-EZ2	Flush	8	NPN	N.O.	68mm	200mA	Micro M12	1
IFM-124L-EZ2	Flush	8	NPN	N.C.	68mm	200mA	Micro M12	1
INM-121L-EZ2	Non Flush	10	PNP	N.O.	68mm	200mA	Micro M12	2
INM-122L-EZ2	Non Flush	10	PNP	N.C.	68mm	200mA	Micro M12	2
INM-123L-EZ2	Non Flush	10	NPN	N.O.	68mm	200mA	Micro M12	2
INM-124L-EZ2	Non Flush	10	NPN	N.C.	68mm	200mA	Micro M12	2

D 6.5
Flush

M8
Flush

M12
Flush
Non
Flush

M18
Flush

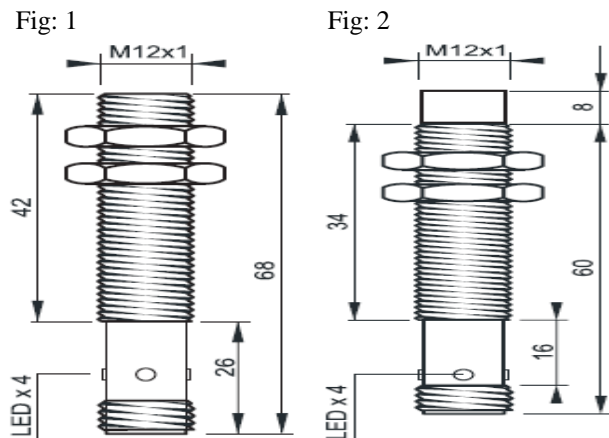
M30
Flush

All
Metal
M8
M12
M18

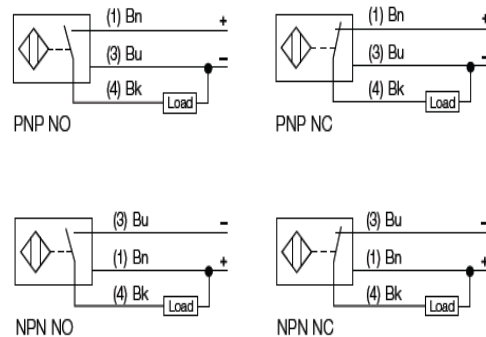
Capacitive
M8
M12
M18

Access.

Fisical Dimmensions



Electrical Connections



Accessories: Please see page 35

General Description

- Housing Material: Plated Brass
- 10...30 VDC 3 Wire
- Reverse polarity protection
- Function display LED
- Degree of protection IP67
- Hysteresis 3...15%
- Flush: Sr. 5mm 1000 Hz / Sr. 8mm 500 Hz
- Temp. -25°C...75°C



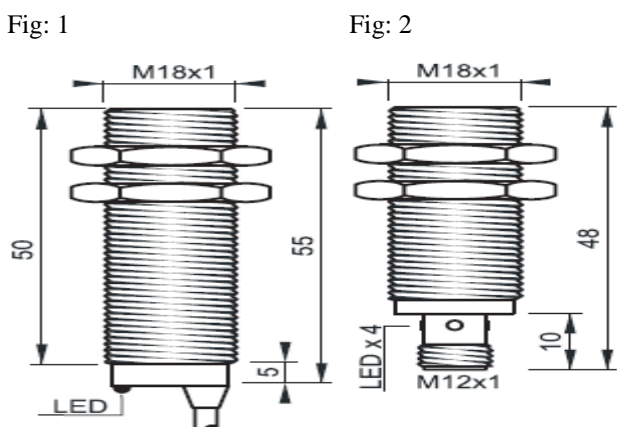
M18 S, E Series



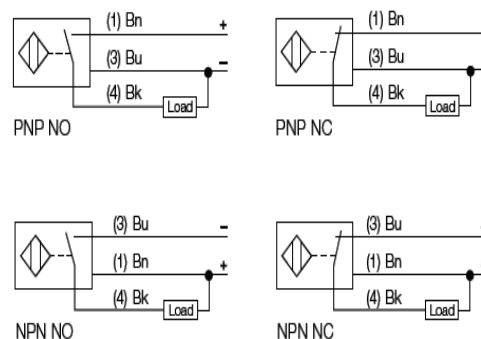
Technical Chart

Model	Mounting	S.R mm	Signal	Output	Length	Rated Currant	Connection	Draw
IFS-181M-C2	Flush	5	PNP	N.O.	55mm	200mA	2 Mts. Cable	1
IFS-182M-C2	Flush	5	PNP	N.C.	55mm	200mA	2 Mts. Cable	1
IFS-183M-C2	Flush	5	NPN	N.O.	55mm	200mA	2 Mts. Cable	1
IFS-184M-C2	Flush	5	NPN	N.C.	55mm	200mA	2 Mts. Cable	1
IFS-181M-EZ2	Flush	5	PNP	N.O.	48mm	200mA	Micro M12	2
IFS-182M-EZ2	Flush	5	PNP	N.C.	48mm	200mA	Micro M12	2
IFS-183M-EZ2	Flush	5	NPN	N.O.	48mm	200mA	Micro M12	2
IFS-184M-EZ2	Flush	5	NPN	N.C.	48mm	200mA	Micro M12	2
IFE-181M-C2	Flush	8	PNP	N.O.	55mm	200mA	2 Mts. Cable	1
IFE-182M-C2	Flush	8	PNP	N.C.	55mm	200mA	2 Mts. Cable	1
IFE-183M-C2	Flush	8	NPN	N.O.	55mm	200mA	2 Mts. Cable	1
IFE-184M-C2	Flush	8	NPN	N.C.	55mm	200mA	2 Mts. Cable	1
IFE-181M-EZ2	Flush	8	PNP	N.O.	48mm	200mA	Micro M12	2
IFE-182M-EZ2	Flush	8	PNP	N.C.	48mm	200mA	Micro M12	2
IFE-183M-EZ2	Flush	8	NPN	N.O.	48mm	200mA	Micro M12	2
IFE-184M-EZ2	Flush	8	NPN	N.C.	48mm	200mA	Micro M12	2

Fisical Dimmensions



Electrical Connections



Accessories: Please see page 35

D3
Flush

D 4
Flush

M5
Flush

D 6.5
Flush

M8
Flush

M12
Flush

M18
Flush

M30
Flush

All
Metal
M8
M12
M18

Capacitive
M8
M12
M18

Access.

D3
Flush

OPTIMUM Automation Sensors

Inductive Sensors M18 S, E Series **8, 16mm Sensing Range Standard & Extended**

General Description

- Housing Material: Plated Brass
- 10...30 VDC 3 Wire
- Reverse polarity protection
- Function display LED
- Degree of protection IP67
- Hysteresis 3...15%
- Non Flush: Sr. 8mm 500 Hz / Sr. 16mm 150 Hz
- Temp. -25°C...75°C



M18 S, E Series



Technical Chart

Model	Mounting	S.R mm	Signal	Output	Length	Rated Currant	Connection	Draw
INS-181M-C2	Non Flush	8	PNP	N.O.	55mm	200mA	2 Mts. Cable	1
INS-182M-C2	Non Flush	8	PNP	N.C.	55mm	200mA	2 Mts. Cable	1
INS-183M-C2	Non Flush	8	NPN	N.O.	55mm	200mA	2 Mts. Cable	1
INS-184M-C2	Non Flush	8	NPN	N.C.	55mm	200mA	2 Mts. Cable	1
INS-181M-EZ2	Non Flush	8	PNP	N.O.	53mm	200mA	Micro M12	2
INS-182M-EZ2	Non Flush	8	PNP	N.C.	53mm	200mA	Micro M12	2
INS-183M-EZ2	Non Flush	8	NPN	N.O.	53mm	200mA	Micro M12	2
INS-184M-EZ2	Non Flush	8	NPN	N.C.	53mm	200mA	Micro M12	2
INE-181M-C2	Non Flush	16	PNP	N.O.	55mm	200mA	2 Mts. Cable	1
INE-182M-C2	Non Flush	16	PNP	N.C.	55mm	200mA	2 Mts. Cable	1
INE-183M-C2	Non Flush	16	NPN	N.O.	55mm	200mA	2 Mts. Cable	1
INE-184M-C2	Non Flush	16	NPN	N.C.	55mm	200mA	2 Mts. Cable	1
INE-181M-EZ2	Non Flush	16	PNP	N.O.	53mm	200mA	Micro M12	2
INE-182M-EZ2	Non Flush	16	PNP	N.C.	53mm	200mA	Micro M12	2
INE-183M-EZ2	Non Flush	16	NPN	N.O.	53mm	200mA	Micro M12	2
INE-184M-EZ2	Non Flush	16	NPN	N.C.	53mm	200mA	Micro M12	2

D 6.5
Flush

M8
Flush

M12
Flush

M18
Non
Flush

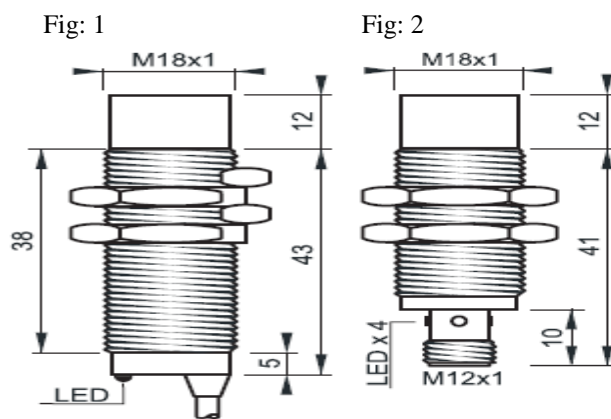
M30
Flush

All
Metal
M8
M12
M18

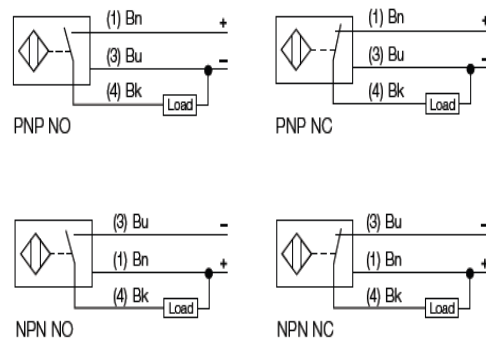
Capacitive
M8
M12
M18

Access.

Fisical Dimmensions



Electrical Connections



Accessories: Please see page 35

General Description

- Housing Material: Plated Brass
- 10...30 VDC 3 Wire
- Reverse polarity protection
- Function display LED
- Degree of protection IP67
- Hysteresis 3...15%
- Flush: Sr. 5mm 1000 Hz / Sr. 8mm 500 Hz
- Non Flush: Sr. 8mm 500 Hz / Sr. 16mm 150 Hz
- Temp. -25°C...75°C



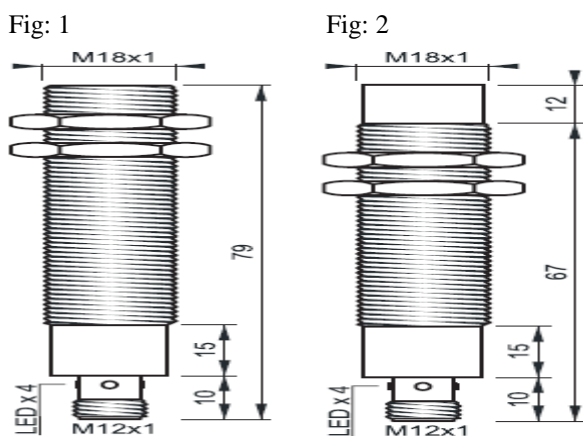
M18 S, E Series



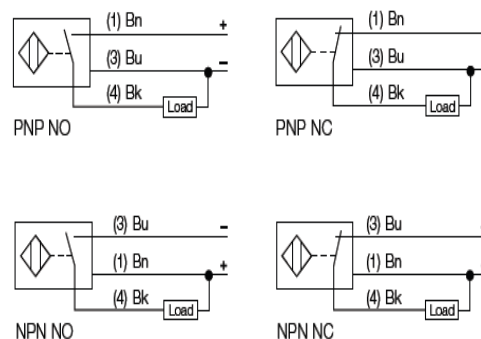
Technical Chart

Model	Mounting	S.R mm	Signal	Output	Length	Rated Currant	Connection	Draw
IFS-181L-EZ2	Flush	5	PNP	N.O.	79mm	200mA	Micro M12	1
IFS-182L-EZ2	Flush	5	PNP	N.C.	79mm	200mA	Micro M12	1
IFS-183L-EZ2	Flush	5	NPN	N.O.	79mm	200mA	Micro M12	1
IFS-184L-EZ2	Flush	5	NPN	N.C.	79mm	200mA	Micro M12	1
INS-181L-EZ2	Non Flush	8	PNP	N.O.	79mm	200mA	Micro M12	2
INS-182L-EZ2	Non Flush	8	PNP	N.C.	79mm	200mA	Micro M12	2
INS-183L-EZ2	Non Flush	8	NPN	N.O.	79mm	200mA	Micro M12	2
INS-184L-EZ2	Non Flush	8	NPN	N.C.	79mm	200mA	Micro M12	2
IFE-181L-EZ2	Flush	8	PNP	N.O.	79mm	200mA	Micro M12	1
IFE-182L-EZ2	Flush	8	PNP	N.C.	79mm	200mA	Micro M12	1
IFE-183L-EZ2	Flush	8	NPN	N.O.	79mm	200mA	Micro M12	1
IFE-184L-EZ2	Flush	8	NPN	N.C.	79mm	200mA	Micro M12	1
INE-181L-EZ2	Non Flush	16	PNP	N.O.	79mm	200mA	Micro M12	2
INE-182L-EZ2	Non Flush	16	PNP	N.C.	79mm	200mA	Micro M12	2
INE-183L-EZ2	Non Flush	16	NPN	N.O.	79mm	200mA	Micro M12	2
INE-184L-EZ2	Non Flush	16	NPN	N.C.	79mm	200mA	Micro M12	2

Fisical Dimmensions



Electrical Connections



Accessories: Please see page 35

D3
Flush

D 4
Flush

M5
Flush

D 6.5
Flush

M8
Flush

M12
Flush

M18
Flush
Non
Flush

M30
Flush

All
Metal
M8
M12
M18

Capacitive
M8
M12
M18

Access.

D3
Flush

OPTIMUM Automation Sensors

Inductive Sensors M30 S, E Series **10, 16mm Sensing Range Standard & Extended**

General Description

- Housing Material: Plated Brass
- 10...30 VDC 3 Wire
- Reverse polarity protection
- Function display LED
- Degree of protection IP67
- Hysteresis 3...15%
- Flush: Sr. 10mm 300 Hz / Sr. 16mm 150 Hz
- Temp. -25°C...75°C



M30 S, E Series



Technical Chart

Model	Mounting	S.R mm	Signal	Output	Length	Rated Currant	Connection	Draw
IFS-301M-C2	Flush	10	PNP	N.O.	55mm	200mA	2 Mts. Cable	1
IFS-302M-C2	Flush	10	PNP	N.C.	55mm	200mA	2 Mts. Cable	1
IFS-303M-C2	Flush	10	NPN	N.O.	55mm	200mA	2 Mts. Cable	1
IFS-304M-C2	Flush	10	NPN	N.C.	55mm	200mA	2 Mts. Cable	1
IFS-301M-EZ2	Flush	10	PNP	N.O.	48mm	200mA	Micro M12	2
IFS-302M-EZ2	Flush	10	PNP	N.C.	48mm	200mA	Micro M12	2
IFS-303M-EZ2	Flush	10	NPN	N.O.	48mm	200mA	Micro M12	2
IFS-304M-EZ2	Flush	10	NPN	N.C.	48mm	200mA	Micro M12	2
IFE-301M-C2	Flush	16	PNP	N.O.	55mm	200mA	2 Mts. Cable	1
IFE-302M-C2	Flush	16	PNP	N.C.	55mm	200mA	2 Mts. Cable	1
IFE-303M-C2	Flush	16	NPN	N.O.	55mm	200mA	2 Mts. Cable	1
IFE-304M-C2	Flush	16	NPN	N.C.	55mm	200mA	2 Mts. Cable	1
IFE-301M-EZ2	Flush	16	PNP	N.O.	48mm	200mA	Micro M12	2
IFE-302M-EZ2	Flush	16	PNP	N.C.	48mm	200mA	Micro M12	2
IFE-303M-EZ2	Flush	16	NPN	N.O.	48mm	200mA	Micro M12	2
IFE-304M-EZ2	Flush	16	NPN	N.C.	48mm	200mA	Micro M12	2

D 6.5
Flush

M8
Flush

M12
Flush

M18
Flush

M30
Flush

All
Metal
M8
M12
M18

Capacitive
M8
M12
M18

Access.

Fisical Dimmensions

Fig: 1

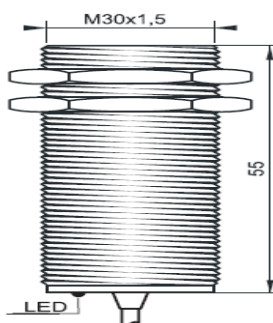
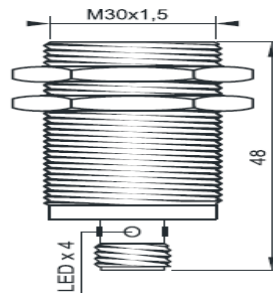
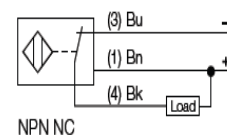
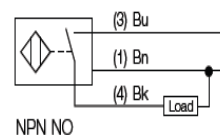
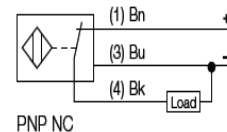
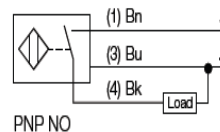


Fig: 2



Electrical Connections



Accessories: Please see page 35

General Description

- Housing Material: Plated Brass
- 10...30 VDC 3 Wire
- Reverse polarity protection
- Function display LED
- Degree of protection IP67
- Hysteresis 3...15%
- Flush: Sr. 10mm 300 Hz / Sr. 16mm 150 Hz
- Non Flush: Sr. 15mm 150 Hz / Sr. 25mm 100 Hz
- Temp. -25°C...75°C



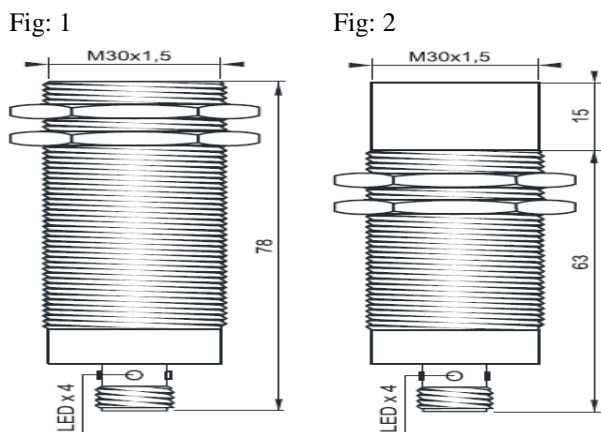
M30 S, E Series



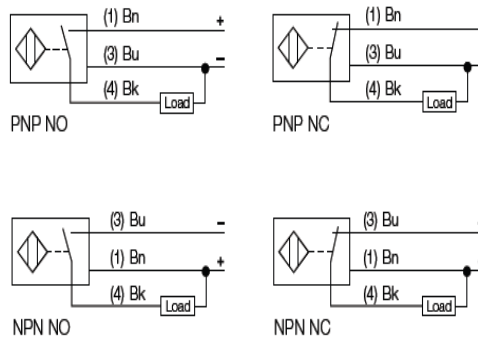
Technical Chart

Model	Mounting	S.R mm	Signal	Output	Length	Rated Currant	Connection	Draw
IFS-181L-EZ2	Flush	10	PNP	N.O.	78mm	200mA	Micro M12	1
IFS-182L-EZ2	Flush	10	PNP	N.C.	78mm	200mA	Micro M12	1
IFS-183L-EZ2	Flush	10	NPN	N.O.	78mm	200mA	Micro M12	1
IFS-184L-EZ2	Flush	10	NPN	N.C.	78mm	200mA	Micro M12	1
INS-181L-EZ2	Non Flush	15	PNP	N.O.	78mm	200mA	Micro M12	2
INS-182L-EZ2	Non Flush	15	PNP	N.C.	78mm	200mA	Micro M12	2
INS-183L-EZ2	Non Flush	15	NPN	N.O.	78mm	200mA	Micro M12	2
INS-184L-EZ2	Non Flush	15	NPN	N.C.	78mm	200mA	Micro M12	2
IFE-181L-EZ2	Flush	16	PNP	N.O.	78mm	200mA	Micro M12	1
IFE-182L-EZ2	Flush	16	PNP	N.C.	78mm	200mA	Micro M12	1
IFE-183L-EZ2	Flush	16	NPN	N.O.	78mm	200mA	Micro M12	1
IFE-184L-EZ2	Flush	16	NPN	N.C.	78mm	200mA	Micro M12	1
INE-181L-EZ2	Non Flush	25	PNP	N.O.	78mm	200mA	Micro M12	2
INE-182L-EZ2	Non Flush	25	PNP	N.C.	78mm	200mA	Micro M12	2
INE-183L-EZ2	Non Flush	25	NPN	N.O.	78mm	200mA	Micro M12	2
INE-184L-EZ2	Non Flush	25	NPN	N.C.	78mm	200mA	Micro M12	2

Fisical Dimmensions



Electrical Connections



Accessories: Please see page 35

D3
Flush

D 4
Flush

M5
Flush

D 6.5
Flush

M8
Flush

M12
Flush

M18
Flush

M30
Flush
Non
Flush

All
Metal
M8
M12
M18

Capacitive
M8
M12
M18

Access.

D3
Flush

OPTIMUM *Automation Sensors*

Inductive Sensors M8 T Series All Metal

2mm Sensing Range Standard

General Description

- Housing Material: S.S 303 / 1.4305
- 10...30 VDC 3 Wire
- Reverse polarity protection
- Function display LED
- Degree of protection IP67
- Hysteresis 3...15%
- Flush, 1000 Hz
- Temp. -25°C...75°C



D 4
Flush

M5
Flush

M8 T Series All Metal



Technical Chart

Model	Mounting	S.R mm	Signal	Output	Length	Rated Currant	Connection	Draw
IFT-081S-C2	Flush	2	PNP	N.O.	30mm	200mA	2 Mts. Cable	1
IFT-082S-C2	Flush	2	PNP	N.C.	30mm	200mA	2 Mts. Cable	1
IFT-083S-C2	Flush	2	NPN	N.O.	30mm	200mA	2 Mts. Cable	1
IFT-084S-C2	Flush	2	NPN	N.C.	30mm	200mA	2 Mts. Cable	1
IFT-081M-EZ1	Flush	2	PNP	N.O.	45mm	200mA	Pico M8	2
IFT-082M-EZ1	Flush	2	PNP	N.C.	45mm	200mA	Pico M8	2
IFT-083M-EZ1	Flush	2	NPN	N.O.	45mm	200mA	Pico M8	2
IFT-084M-EZ1	Flush	2	NPN	N.C.	45mm	200mA	Pico M8	2
IFT-081L-EZ2	Flush	2	PNP	N.O.	70mm	200mA	Micro M12	3
IFT-082L-EZ2	Flush	2	PNP	N.C.	70mm	200mA	Micro M12	3
IFT-083L-EZ2	Flush	2	NPN	N.O.	70mm	200mA	Micro M12	3
IFT-084L-EZ2	Flush	2	NPN	N.C.	70mm	200mA	Micro M12	3

D 6.5
Flush

M8
Flush

M12
Flush

M18
Flush

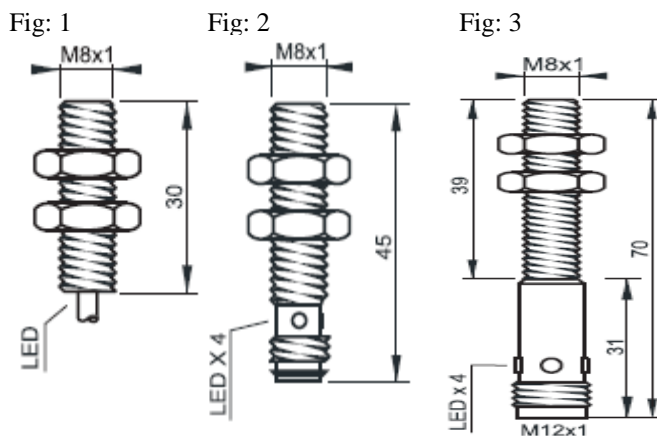
M30
Flush

All
Metal
M8
M12
M18

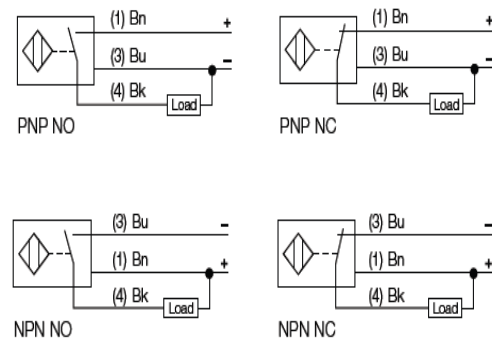
Capacitive
M8
M12
M18

Access.

Fisical Dimmensions



Electrical Connections



Accessories: Please see page 35

General Description

- Housing Material: S.S 303 / 1.4305
- 10...30 VDC 3 Wire
- Reverse polarity protection
- Function display LED
- Degree of protection IP67
- Hysteresis 3...15%
- Flush, 1000 Hz
- Temp. -25°C...75°C



D3
Flush

D4
Flush

M5
Flush

M8 T Series All Metal



Technical Chart

Model	Mounting	S.R mm	Signal	Output	Length	Rated Currant	Connection	Draw
INT-81S-C2	Non Flush	3.5	PNP	N.O.	30mm	200mA	2 Mts. Cable	1
INT-82S-C2	Non Flush	3.5	PNP	N.C.	30mm	200mA	2 Mts. Cable	1
INT-83S-C2	Non Flush	3.5	NPN	N.O.	30mm	200mA	2 Mts. Cable	1
INT-84S-C2	Non Flush	3.5	NPN	N.C.	30mm	200mA	2 Mts. Cable	1
INT-81M-EZ1	Non Flush	3.5	PNP	N.O.	45mm	200mA	Pico M8	2
INT-82M-EZ1	Non Flush	3.5	PNP	N.C.	45mm	200mA	Pico M8	2
INT-83M-EZ1	Non Flush	3.5	NPN	N.O.	45mm	200mA	Pico M8	2
INT-84M-EZ1	Non Flush	3.5	NPN	N.C.	45mm	200mA	Pico M8	2

D 6.5
Flush

M8
Flush

M12
Flush

M18
Flush

M30
Flush

Fisical Dimmensions	Electrical Connections
<div style="display: flex; justify-content: space-around;"> <div style="text-align: center;"> <p>Fig: 1</p> </div> <div style="text-align: center;"> <p>Fig: 2</p> </div> </div>	<div style="display: grid; grid-template-columns: 1fr 1fr; gap: 10px;"> <div style="text-align: center;"> <p>PNP NO</p> </div> <div style="text-align: center;"> <p>PNP NC</p> </div> <div style="text-align: center;"> <p>NPN NO</p> </div> <div style="text-align: center;"> <p>NPN NC</p> </div> </div>
Accessories: Please see page 35	

All
Metal
M8
M12
M18

Capacitive
M8
M12
M18

Access.

D3
Flush

OPTIMUM Automation Sensors

Inductive Sensors M8 T Series All Metal

3.5mm Sensing Range Standard

General Description

- Housing Material: S.S 303 / 1.4305
- 10...30 VDC 3 Wire
- Reverse polarity protection
- Function display LED
- Degree of protection IP67
- Hysteresis 3...15%
- Flush, 1000 Hz
- Temp. -25°C...75°C



D 4
Flush

M5
Flush

M8 T Series All Metal



Technical Chart

Model	Mounting	S.R mm	Signal	Output	Length	Rated Current	Connection	Draw
INT-081M-C2	Non Flush	3.5	PNP	N.O.	60mm	200mA	Pico M8	1
INT-082M-C2	Non Flush	3.5	PNP	N.C.	60mm	200mA	Pico M8	1
INT-083M-C2	Non Flush	3.5	NPN	N.O.	60mm	200mA	Pico M8	1
INT-084M-C2	Non Flush	3.5	NPN	N.C.	60mm	200mA	Pico M8	1
INT-081L-EZ2	Non Flush	3.5	PNP	N.O.	70mm	200mA	Micro M12	2
INT-082L-EZ2	Non Flush	3.5	PNP	N.C.	70mm	200mA	Micro M12	2
INT-083L-EZ2	Non Flush	3.5	NPN	N.O.	70mm	200mA	Micro M12	2
INT-084L-EZ2	Non Flush	3.5	NPN	N.C.	70mm	200mA	Micro M12	2

D 6.5
Flush

M8
Flush

M12
Flush

M18
Flush

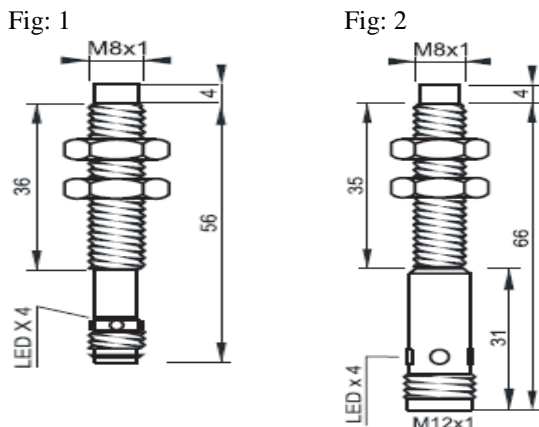
M30
Flush

All Metal
M8
M12
M18

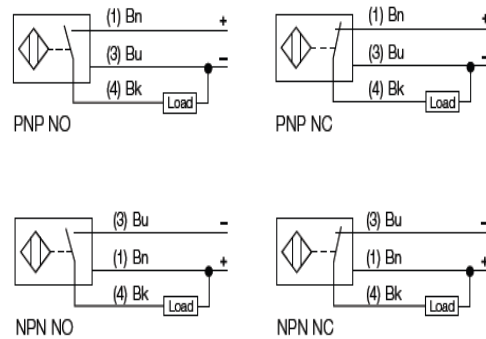
Capacitive
M8
M12
M18

Access.

Fisical Dimmensions



Electrical Connections



Accessories: Please see page 35

General Description

- Housing Material: S.S 303 / 1.4305
- 10...30 VDC 3 Wire
- Reverse polarity protection
- Function display LED
- Degree of protection IP67
- Hysteresis 3...15%
- Flush, 1000 Hz
- Temp. -25°C...75°C



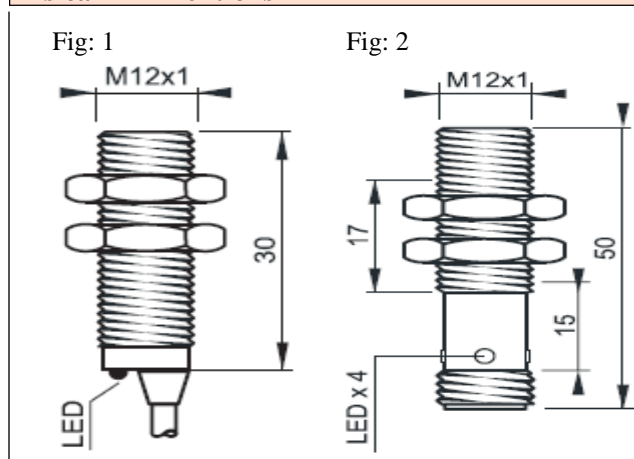
M12 T Series All Metal



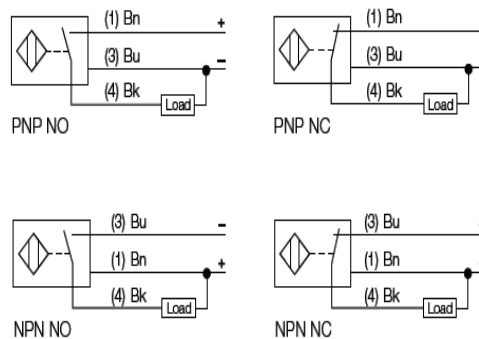
Technical Chart

Model	Mounting	S.R mm	Signal	Output	Length	Rated Current	Connection	Draw
IFT-121S-C2	Flush	4	PNP	N.O.	30mm	200mA	2 Mts. Cable	1
IFT-122S-C2	Flush	4	PNP	N.C.	30mm	200mA	2 Mts. Cable	1
IFT-123S-C2	Flush	4	NPN	N.O.	30mm	200mA	2 Mts. Cable	1
IFT-124S-C2	Flush	4	NPN	N.C.	30mm	200mA	2 Mts. Cable	1
IFT-121S-EZ2	Flush	4	PNP	N.O.	50mm	200mA	Micro M12	2
IFT-122S-EZ2	Flush	4	PNP	N.C.	50mm	200mA	Micro M12	2
IFT-123S-EZ2	Flush	4	NPN	N.O.	50mm	200mA	Micro M12	2
IFT-124S-EZ2	Flush	4	NPN	N.C.	50mm	200mA	Micro M12	2

Fisical Dimmensions



Electrical Connections



Accessories: Please see page 35

D3
Flush

D 4
Flush

M5
Flush

D 6.5
Flush

M8
Flush

M12
Flush

M18
Flush

M30
Flush

Metal
Face
M8
M12
M18

Capacitive
M8
M12
M18

Access.

D3
Flush

OPTIMUM Automation Sensors

Inductive Sensors M12 T Series All Metal

6mm Sensing Range Standard

General Description

- Housing Material: S.S 303 / 1.4305
- 10...30 VDC 3 Wire
- Reverse polarity protection
- Function display LED
- Degree of protection IP67
- Hysteresis 3...15%
- Flush, 1000 Hz
- Temp. -25°C...75°C



D 4
Flush

M5
Flush

M12 T Series All Metal



Technical Chart

Model	Mounting	S.R mm	Signal	Output	Length	Rated Currant	Connection	Draw
INT-121S-C2	Non Flush	6	PNP	N.O.	30mm	200mA	2 Mts. Cable	1
INT-122S-C2	Non Flush	6	PNP	N.C.	30mm	200mA	2 Mts. Cable	1
INT-123S-C2	Non Flush	6	NPN	N.O.	30mm	200mA	2 Mts. Cable	1
INT-124S-C2	Non Flush	6	NPN	N.C.	30mm	200mA	2 Mts. Cable	1
INT-121S-EZ2	Non Flush	6	PNP	N.O.	50mm	200mA	Micro M12	2
INT-122S-EZ2	Non Flush	6	PNP	N.C.	50mm	200mA	Micro M12	2
INT-123S-EZ2	Non Flush	6	NPN	N.O.	50mm	200mA	Micro M12	2
INT-124S-EZ2	Non Flush	6	NPN	N.C.	50mm	200mA	Micro M12	2

D 6.5
Flush

M8
Flush

M12
Flush

M18
Flush

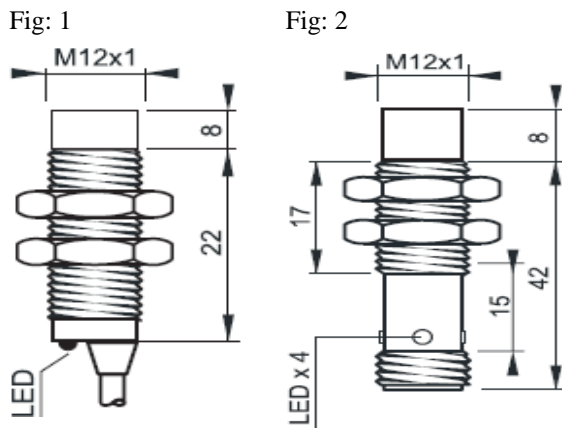
M30
Flush

All
Metal
M8
M12
M18

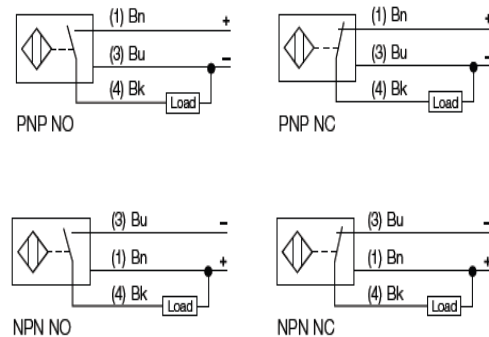
Capacitive
M8
M12
M18

Access.

Fisical Dimmensions



Electrical Connections



Accessories: Please see page 35

General Description

- Housing Material: S.S 303 / 1.4305
- 10...30 VDC 3 Wire
- Reverse polarity protection
- Function display LED
- Degree of protection IP67
- Hysteresis 3...15%
- Flush, 1000 Hz
- Temp. -25°C...75°C



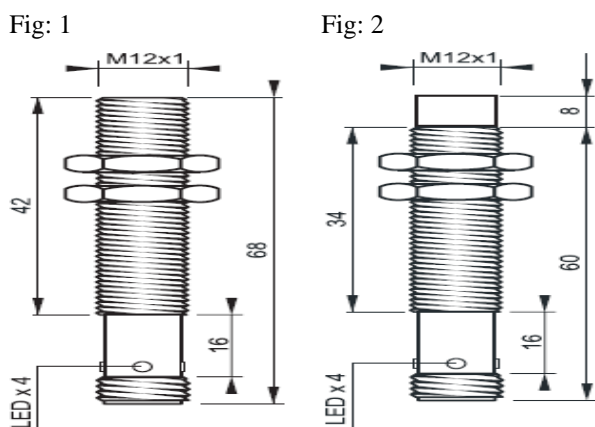
M12 T Series All Metal



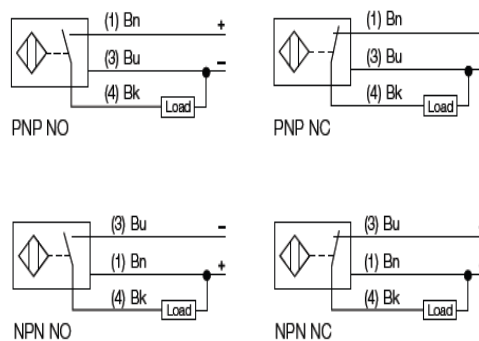
Technical Chart

Model	Mounting	S.R mm	Signal	Output	Length	Rated Currant	Connection	Draw
IFT-121L-EZ2	Flush	4	PNP	N.O.	68mm	200mA	Micro M12	1
IFT-122L-EZ2	Flush	4	PNP	N.C.	68mm	200mA	Micro M12	1
IFT-123L-EZ2	Flush	4	NPN	N.O.	68mm	200mA	Micro M12	1
IFT-124L-EZ2	Flush	4	NPN	N.C.	68mm	200mA	Micro M12	1
INT-121L-EZ2	Non Flush	6	PNP	N.O.	68mm	200mA	Micro M12	2
INT-122L-EZ2	Non Flush	6	PNP	N.C.	68mm	200mA	Micro M12	2
INT-123L-EZ2	Non Flush	6	NPN	N.O.	68mm	200mA	Micro M12	2
INT-124L-EZ2	Non Flush	6	NPN	N.C.	68mm	200mA	Micro M12	2

Fisical Dimmensions



Electrical Connections



Accessories: Please see page 35

D3
Flush

D 4
Flush

M5
Flush

D 6.5
Flush

M8
Flush

M12
Flush

M18
Flush

M30
Flush

All
Metal
M8
M12
M18

Capacitive
M8
M12
M18

Access.

D3
Flush

OPTIMUM Automation Sensors

Inductive Sensors M18 T Series All Metal

8mm Sensing Range Standard

General Description

- Housing Material: S.S 303 / 1.4305
- 10...30 VDC 3 Wire
- Reverse polarity protection
- Function display LED
- Degree of protection IP67
- Hysteresis 3...15%
- Flush, 1000 Hz
- Temp. -25°C...75°C



D 4
Flush

M5
Flush

M18 T Series All Metal



Technical Chart

Model	Mounting	S.R mm	Signal	Output	Length	Rated Current	Connection	Draw
IFT-181S-C2	Flush	8	PNP	N.O.	55mm	200mA	2 Mts. Cable	1
IFT-182S-C2	Flush	8	PNP	N.C.	55mm	200mA	2 Mts. Cable	1
IFT-183S-C2	Flush	8	NPN	N.O.	55mm	200mA	2 Mts. Cable	1
IFT-184S-C2	Flush	8	NPN	N.C.	55mm	200mA	2 Mts. Cable	1
IFT-181S-EZ2	Flush	8	PNP	N.O.	48mm	200mA	Micro M12	2
IFT-182S-EZ2	Flush	8	PNP	N.C.	48mm	200mA	Micro M12	2
IFT-183S-EZ2	Flush	8	NPN	N.O.	48mm	200mA	Micro M12	2
IFT-184S-EZ2	Flush	8	NPN	N.C.	48mm	200mA	Micro M12	2

D 6.5
Flush

M8
Flush

M12
Flush

M18
Flush

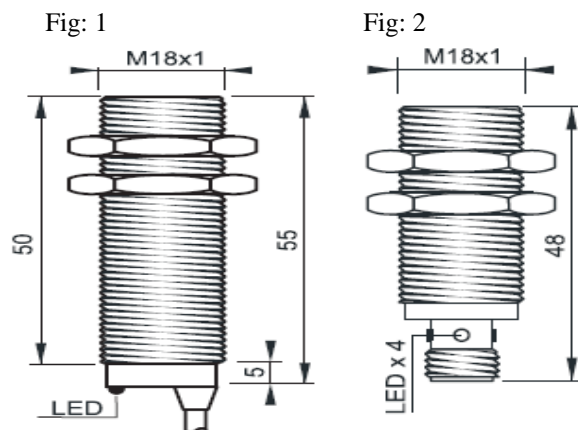
M30
Flush

All
Metal
M8
M12
M18

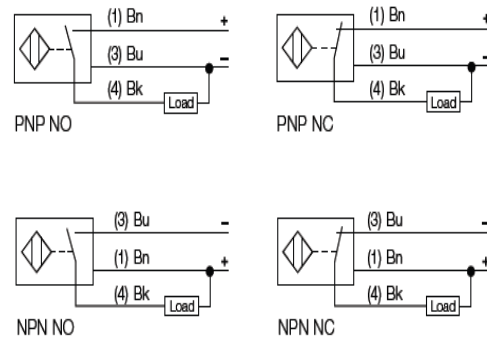
Capacitive
M8
M12
M18

Access.

Fisical Dimmensions



Electrical Connections



Accessories: Please see page 35

General Description

- Housing Material: S.S 303 / 1.4305
- 10...30 VDC 3 Wire
- Reverse polarity protection
- Function display LED
- Degree of protection IP67
- Hysteresis 3...15%
- Flush, 1000 Hz
- Temp. -25°C...75°C



Technical Chart

M18 T Series All Metal



Model	Mounting	S.R mm	Signal	Output	Length	Rated Currant	Connection	Draw
IFT-181L-EZ2	Flush	8	PNP	N.O.	79mm	200mA	Micro M12	1
IFT-182L-EZ2	Flush	8	PNP	N.C.	79mm	200mA	Micro M12	1
IFT-183L-EZ2	Flush	8	NPN	N.O.	79mm	200mA	Micro M12	1
IFT-184L-EZ2	Flush	8	NPN	N.C.	79mm	200mA	Micro M12	1

D3
Flush

D 4
Flush

M5
Flush

D 6.5
Flush

M8
Flush

M12
Flush

M18
Flush

M30
Flush

All
Metal
M8
M12
M18

Capacitive
M8
M12
M18

Fisical Dimmensions	Electrical Connections
<p>Fig: 1</p>	<p style="text-align: right;">Accessories: Please see page 35</p>

Access.

D3
Flush

OPTIMUM Automation Sensors

Capacitive Sensors M8 S Series

2mm Sensing Range Standard

General Description

- Housing Material: Plated Brass
- 10...30 VDC 3 Wire
- Reverse polarity protection
- Function display LED
- Degree of protection IP67
- Hysteresis 3...15%
- Shielded, 100 HZ
- Temp. -25°C...75°C



M8 S Series



Technical Chart

Model	Mounting	S.R mm	Signal	Output	Length	Rated Currant	Connection	Draw
CFS-081S-C2	Flush	2	PNP	N.O.	45mm	200mA	2 Mts. Cable	1
CFS-082S-C2	Flush	2	PNP	N.C.	45mm	200mA	2 Mts. Cable	1
CFS-083S-C2	Flush	2	NPN	N.O.	45mm	200mA	2 Mts. Cable	1
CFS-084S-C2	Flush	2	NPN	N.C.	45mm	200mA	2 Mts. Cable	1
CFS-081S-EZ1	Flush	2	PNP	N.O.	60mm	200mA	Pico M8	2
CFS-082S-EZ1	Flush	2	PNP	N.C.	60mm	200mA	Pico M8	2
CFS-083S-EZ1	Flush	2	NPN	N.O.	60mm	200mA	Pico M8	2
CFS-084S-EZ1	Flush	2	NPN	N.C.	60mm	200mA	Pico M8	2
CFS-081M-EZ2	Flush	2 *	PNP	N.O.	70mm	200mA	Micro M12	3
CFS-082M-EZ2	Flush	2 *	PNP	N.C.	70mm	200mA	Micro M12	3
CFS-083M-EZ2	Flush	2 *	NPN	N.O.	70mm	200mA	Micro M12	3
CFS-084M-EZ2	Flush	2 *	NPN	N.C.	70mm	200mA	Micro M12	3

Note: Adjustable Multi Turn

D 6.5
Flush

M8
Flush

M12
Flush

M18
Flush

M30
Flush

All Metal
M8
M12
M18

Capacitive
M8
M12
M18

Access.

Fig: 1	Fig: 2	Fig: 3	Electrical Connections	
			<p>PNP NO</p>	<p>PNP NC</p>
			<p>NPN NO</p>	<p>NPN NC</p>
<p>Accessories: Please see page 35</p>				

General Description

- Housing Material: Plated Brass
- 10...30 VDC 3 Wire
- Reverse polarity protection
- Function display LED
- Degree of protection IP67
- Hysteresis 3...15%
- Shielded, 100 HZ
- Temp. -25°C...75°C



M8 S Series



Technical Chart

Model	Mounting	S.R mm	Signal	Output	Length	Rated Currant	Connection	Draw
CNS-081S-C2	Non Flush	4	PNP	N.O.	45mm	200mA	2 Mts. Cable	1
CNS-082S-C2	Non Flush	4	PNP	N.C.	45mm	200mA	2 Mts. Cable	1
CNS-083S-C2	Non Flush	4	NPN	N.O.	45mm	200mA	2 Mts. Cable	1
CNS-084S-C2	Non Flush	4	NPN	N.C.	45mm	200mA	2 Mts. Cable	1
CNS-081S-EZ1	Non Flush	4	PNP	N.O.	60mm	200mA	Pico M8	2
CNS-082S-EZ1	Non Flush	4	PNP	N.C.	60mm	200mA	Pico M8	2
CNS-083S-EZ1	Non Flush	4	NPN	N.O.	60mm	200mA	Pico M8	2
CNS-084S-EZ1	Non Flush	4	NPN	N.C.	60mm	200mA	Pico M8	2
CNS-081M-EZ2	Non Flush	4 *	PNP	N.O.	74mm	200mA	Micro M12	3
CNS-082M-EZ2	Non Flush	4 *	PNP	N.C.	74mm	200mA	Micro M12	3
CNS-083M-EZ2	Non Flush	4 *	NPN	N.O.	74mm	200mA	Micro M12	3
CNS-084M-EZ2	Non Flush	4 *	NPN	N.C.	74mm	200mA	Micro M12	3

Note: Adjustable Multi Turn

Fisical Dimmensions	Electrical Connections
<div style="display: flex; justify-content: space-around;"> <div style="text-align: center;"> <p>Fig: 1</p> </div> <div style="text-align: center;"> <p>Fig: 2</p> </div> <div style="text-align: center;"> <p>Fig: 3</p> </div> </div>	<div style="display: grid; grid-template-columns: 1fr 1fr; gap: 10px;"> <div> <p>PNP NO</p> </div> <div> <p>PNP NC</p> </div> <div> <p>NPN NO</p> </div> <div> <p>NPN NC</p> </div> </div>
Accessories: Please see page 35	

D3
Flush

D 4
Flush

M5
Flush

D 6.5
Flush

M8
Flush

M12
Flush

M18
Flush

M30
Flush

All
Metal
M8
M12
M18

Capacitive
M8
M12
M18

Access.

D3
Flush

General Description

- Housing Material: Plated Brass
- 10...30 VDC 3 Wire
- Reverse polarity protection
- Function display LED
- Degree of protection IP67
- Hysteresis 3...15%
- Shielded, 100 HZ
- Temp. -25°C...75°C



M12 S Series



Technical Chart

Model	Mounting	S.R mm	Signal	Output	Length	Rated Currant	Connection	Draw
CFS-121S-C2	Flush	4 *	PNP	N.O.	60mm	200mA	2 Mts. Cable	1
CFS-122S-C2	Flush	4 *	PNP	N.C.	60mm	200mA	2 Mts. Cable	1
CFS-123S-C2	Flush	4 *	NPN	N.O.	60mm	200mA	2 Mts. Cable	1
CFS-124S-C2	Flush	4 *	NPN	N.C.	60mm	200mA	2 Mts. Cable	1
CFS-121S-EZ2	Flush	4 *	PNP	N.O.	60mm	200mA	Micro M12	2
CFS-122S-EZ2	Flush	4 *	PNP	N.C.	60mm	200mA	Micro M12	2
CFS-123S-EZ2	Flush	4 *	NPN	N.O.	60mm	200mA	Micro M12	2
CFS-124S-EZ2	Flush	4 *	NPN	N.C.	60mm	200mA	Micro M12	2

D 6.5
Flush

M8
Flush

M12
Flush

M18
Flush

Note: Adjustable Multi Turn

M30
Flush

All
Metal
M8
M12
M18

Capacitive
M8
M12
M18

Access.

Fig: 1	Fig: 2	Electrical Connections	
<p>Accessories: Please see page 35</p>			

General Description

- Housing Material: Plated Brass
- 10...30 VDC 3 Wire
- Reverse polarity protection
- Function display LED
- Degree of protection IP67
- Hysteresis 3...15%
- Shielded, 100 HZ
- Temp. -25°C...75°C



M12 S Series



Technical Chart

Model	Mounting	S.R mm	Signal	Output	Length	Rated Currant	Connection	Draw
CNS-121S-C2	Non Flush	8 *	PNP	N.O.	60mm	200mA	2 Mts. Cable	1
CNS-122S-C2	Non Flush	8 *	PNP	N.C.	60mm	200mA	2 Mts. Cable	1
CNS-123S-C2	Non Flush	8 *	NPN	N.O.	60mm	200mA	2 Mts. Cable	1
CNS-124S-C2	Non Flush	8 *	NPN	N.C.	60mm	200mA	2 Mts. Cable	1
CNS-121S-EZ2	Non Flush	8 *	PNP	N.O.	60mm	200mA	Micro M12	2
CNS-122S-EZ2	Non Flush	8 *	PNP	N.C.	60mm	200mA	Micro M12	2
CNS-123S-EZ2	Non Flush	8 *	NPN	N.O.	60mm	200mA	Micro M12	2
CNS-124S-EZ2	Non Flush	8 *	NPN	N.C.	60mm	200mA	Micro M12	2

Note: Adjustable Multi Turn

Fisical Dimmensions	Electrical Connections
<div style="display: flex; justify-content: space-around;"> <div style="text-align: center;"> <p>Fig: 1</p> </div> <div style="text-align: center;"> <p>Fig: 2</p> </div> </div>	<div style="display: grid; grid-template-columns: 1fr 1fr; gap: 10px;"> <div style="text-align: center;"> <p>PNP NO</p> </div> <div style="text-align: center;"> <p>PNP NC</p> </div> <div style="text-align: center;"> <p>NPN NO</p> </div> <div style="text-align: center;"> <p>NPN NC</p> </div> </div> <p style="text-align: right;">Accessories: Please see page 35</p>

D3
Flush

D 4
Flush

M5
Flush

D 6.5
Flush

M8
Flush

M12
Flush

M18
Flush

M30
Flush

Metal
Face
M8
M12
M18

Capacitive
M8
M12
M18

Access.

D3
Flush

OPTIMUM Automation Sensors

Capacitive Sensors M18 S Series

8mm Sensing Range Standard

General Description

- Housing Material: Plated Brass
- 10...30 VDC 3 Wire
- Reverse polarity protection
- Function display LED
- Degree of protection IP67
- Hysteresis 3...15%
- Shielded, 100 HZ
- Temp. -25°C...75°C



D 4
Flush

M5
Flush

M18 S Series



Technical Chart

Model	Mounting	S.R mm	Signal	Output	Length	Rated Currant	Connection	Draw
CFS-181S-C2	Flush	8 *	PNP	N.O.	80mm	200mA	2 Mts. Cable	1
CFS-182S-C2	Flush	8 *	PNP	N.C.	80mm	200mA	2 Mts. Cable	1
CFS-183S-C2	Flush	8 *	NPN	N.O.	80mm	200mA	2 Mts. Cable	1
CFS-184S-C2	Flush	8 *	NPN	N.C.	80mm	200mA	2 Mts. Cable	1
CFS-181S-EZ2	Flush	8 *	PNP	N.O.	80mm	200mA	Micro M12	2
CFS-182S-EZ2	Flush	8 *	PNP	N.C.	80mm	200mA	Micro M12	2
CFS-183S-EZ2	Flush	8 *	NPN	N.O.	80mm	200mA	Micro M12	2
CFS-184S-EZ2	Flush	8 *	NPN	N.C.	80mm	200mA	Micro M12	2

D 6.5
Flush

M8
Flush

M12
Flush

M18
Flush

Note: Adjustable Multi Turn

M30
Flush

All
Metal
M8
M12
M18

Capacitive
M8
M12
M18

Fig: 1	Fig: 2	Electrical Connections	
		<p>PNP NO</p>	<p>PNP NC</p>
		<p>NPN NO</p>	<p>NPN NC</p>
<p>Accessories: Please see page 35</p>			

Access.

General Description

- Housing Material: Plated Brass
- 10...30 VDC 3 Wire
- Reverse polarity protection
- Function display LED
- Degree of protection IP67
- Hysteresis 3...15%
- Shielded, 100 HZ
- Temp. -25°C...75°C



M18 S Series

CE Approvals Certificates

Technical Chart

Model	Mounting	S.R mm	Signal	Output	Length	Rated Currant	Connection	Draw
CNS-M181S-C2	Non Flush	15 *	PNP	N.O.	80mm	200mA	2 Mts. Cable	1
CNS-M182S-C2	Non Flush	15 *	PNP	N.C.	80mm	200mA	2 Mts. Cable	1
CNS-M183S-C2	Non Flush	15 *	NPN	N.O.	80mm	200mA	2 Mts. Cable	1
CNS-M184S-C2	Non Flush	15 *	NPN	N.C.	80mm	200mA	2 Mts. Cable	1
CNS-M181S-EZ2	Non Flush	15 *	PNP	N.O.	80mm	200mA	Micro M12	2
CNS-M182S-EZ2	Non Flush	15 *	PNP	N.C.	80mm	200mA	Micro M12	2
CNS-M183S-EZ2	Non Flush	15 *	NPN	N.O.	80mm	200mA	Micro M12	2
CNS-M184S-EZ2	Non Flush	15 *	NPN	N.C.	80mm	200mA	Micro M12	2

Note: Adjustable Multi Turn

Fisical Dimmmentions	Electrical Connections
<div style="display: flex; justify-content: space-around;"> <div style="text-align: center;"> <p>Fig: 1</p> </div> <div style="text-align: center;"> <p>Fig: 2</p> </div> </div>	<div style="display: grid; grid-template-columns: 1fr 1fr; gap: 10px;"> <div> <p>PNP NO</p> </div> <div> <p>PNP NC</p> </div> <div> <p>NPN NO</p> </div> <div> <p>NPN NC</p> </div> </div>
Accessories: Please see page 35	

D3
Flush

D 4
Flush

M5
Flush

D 6.5
Flush

M8
Flush

M12
Flush

M18
Flush

M30
Flush

All
Metal
M8
M12
M18

Capacitive
M8
M12
M18

Access.

D3
Flush

OPTIMUM *Automation Sensors*

PVC & PUR Cables

EZ1 / Pico M8 Connector, EZ2 / Micro M12

General Description

- Material: PVC / Polyurethane oil Resistance
- Contacts: Cooper Alloy with gold Plating
- Gauge: 24 AWG
- Rated Voltage: 60 V, 4 Amps
- Temperature: PUR -40°C to 80°C, PVC -25°C to 105°C



D 4
Flush

M5
Flush

Technical Chart

Part Number	Type	Position Connector	Number of Wires	Number of Poles	Color	Material	Length
EZ1-S3W-PVC/2M	M8 Pico	Straight	3 Wires	3 Poles	Black	PVC	2 Mts
EZ1-R3W-PVC/2M	M8 Pico	Right Angle	3 Wires	3 Poles	Black	PVC	2 Mts
EZ1-S3W-PVC/5M	M8 Pico	Straight	3 Wires	3 Poles	Black	PVC	5 Mts
EZ1-R3W-PVC/5M	M8 Pico	Right Angle	3 Wires	3 Poles	Black	PVC	5 Mts
EZ1-S3W-PUR/2M	M8 Pico	Straight	3 Wires	3 Poles	Black	PUR	2 Mts
EZ1-R3W-PUR/2M	M8 Pico	Right Angle	3 Wires	3 Poles	Black	PUR	2 Mts
EZ1-S3W-PUR/5M	M8 Pico	Straight	3 Wires	3 Poles	Black	PUR	5 Mts
EZ1-R3W-PUR/5M	M8 Pico	Right Angle	3 Wires	3 Poles	Black	PUR	5 Mts
EZ2-S3W-PVC/2M	M12 Micro	Straight	3 Wires	4 Poles	Yellow	PVC	2 Mts
EZ2-R3W-PVC/2M	M12 Micro	Right Angle	3 Wires	4 Poles	Yellow	PVC	2 Mts
EZ2-S3W-PVC/5M	M12 Micro	Straight	3 Wires	4 Poles	Yellow	PVC	5 Mts
EZ2-R3W-PVC/5M	M12 Micro	Right Angle	3 Wires	4 Poles	Yellow	PVC	5 Mts
EZ2-S3W-PUR/2M	M12 Micro	Straight	3 Wires	4 Poles	Yellow	PUR	2 Mts
EZ2-R3W-PUR/2M	M12 Micro	Right Angle	3 Wires	4 Poles	Yellow	PUR	2 Mts
EZ2-S3W-PUR/5M	M12 Micro	Straight	3 Wires	4 Poles	Yellow	PUR	5 Mts
EZ2-R3W-PUR/5M	M12 Micro	Right Angle	3 Wires	4 Poles	Yellow	PUR	5 Mts
EZ2-S4W-PVC/2M	M12 Micro	Straight	4 Wires	4 Poles	Yellow	PVC	2 Mts
EZ2-R4W-PVC/2M	M12 Micro	Right Angle	4 Wires	4 Poles	Yellow	PVC	2 Mts
EZ2-S4W-PVC/5M	M12 Micro	Straight	4 Wires	4 Poles	Yellow	PVC	5 Mts
EZ2-R4W-PVC/5M	M12 Micro	Right Angle	4 Wires	4 Poles	Yellow	PVC	5 Mts
EZ2-S4W-PUR/2M	M12 Micro	Straight	4 Wires	4 Poles	Yellow	PUR	2 Mts
EZ2-R4W-PUR/2M	M12 Micro	Right Angle	4 Wires	4 Poles	Yellow	PUR	2 Mts
EZ2-S4W-PUR/5M	M12 Micro	Straight	4 Wires	4 Poles	Yellow	PUR	5 Mts
EZ2-R4W-PUR/5M	M12 Micro	Right Angle	4 Wires	4 Poles	Yellow	PUR	5 Mts

D 6.5
Flush

M8
Flush

M12
Flush

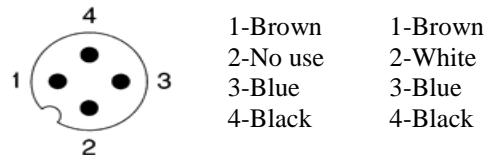
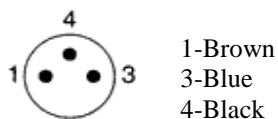
M18
Flush

M30
Flush

All
Metal
M8
M12
M18

EZ1, M8 Pico Connector, 3 Wires Cable

EZ2, M12 Micro Connector, 3 & 4 Wires



Access.

Note: Pico M8 color black standard / M12 Micro color yellow standard, gray & black available

OPTIMUM

Automation Sensors



Advantages:

- Technology
- Quality
- Sensing Range
- Durability "All Metal"
- Hi Performance
- Customize, Take your sensor to the application

Note:

* The content in this catalogue can change with out notice

OPTIMUM

Automation Sensors

T: 1+210 957 8770

F: 1+210 957 8565

P.O Box 3162

Brownsville Texas. USA

sales@optimumsensors.com

support@optimumsensors.com

OPTIMUM

Automation Sensors

T: 1+210 957 8770

F: 1+210 957 8565

P.O Box 3162

Brownsville Texas. USA

sales@optimumsensors.com

support@optimumsensors.com

Rev. G092412